

**HMS Marine Hardware, Inc.**  
**Freeport, NY 11520**

***Shipboard Habitability Materials***  
***Since 1987***

***AUTHORIZED DISTRIBUTOR FOR: Arrow Lock, American Lock, American Specialties,  
AJ Washroom Accessories, Bommer, Bobrick, Brey-Krause, Dorma, HAWS, Ives, McKinney,  
Merit, Nik-O-Lok, VingCard and more.***

**\*\*\*JOINER DOOR PRODUCTS\*\*\***

**Marine-Grade (Stainless Steel) Locksets  
Padlocks  
High Security Locks / High Security Hasps  
M.J. Hinges (Brass or Stainless Steel)  
Door Closers/Latches**

**\*\*\*WASHROOM EQUIPMENT\*\*\***

**Spring Hinges (W/C Doors) / Latch & Keepers  
Coat-Hat-Towel Hooks/Bumpers  
Towel Racks/ Towel & Soap Dispensers,  
Toilet Paper Holders/Napkin Dispensers  
Grab Rods/ Shower Bars**

**\*\*\*SAFETY PRODUCTS\*\*\***

**Smoke-Gard® Quick Release Smoke Containment Curtains  
Smoke-Gard® Hatch Blankets  
Emergency Face & Eyewash Units**

**\*\*\*OTHER\*\*\***

**Handles/Pulls/Slides/Catches  
Locker Hardware**

**We carry many items not listed; please contact us with your requirements.**

**VISA/MASTERCARD ACCEPTED**

**WWW-HMS-MARINE-HARDWARE.COM  
EMAIL: [INFO@HMSMH.COM](mailto:INFO@HMSMH.COM)  
TEL: 516-546-1300 \* FAX: 516-623-9155**

**HMS Marine Hardware, Inc.  
92 East Merrick Road  
Freeport, NY 11520**

*Shipboard Habitability Materials  
Since 1987*

**Index**

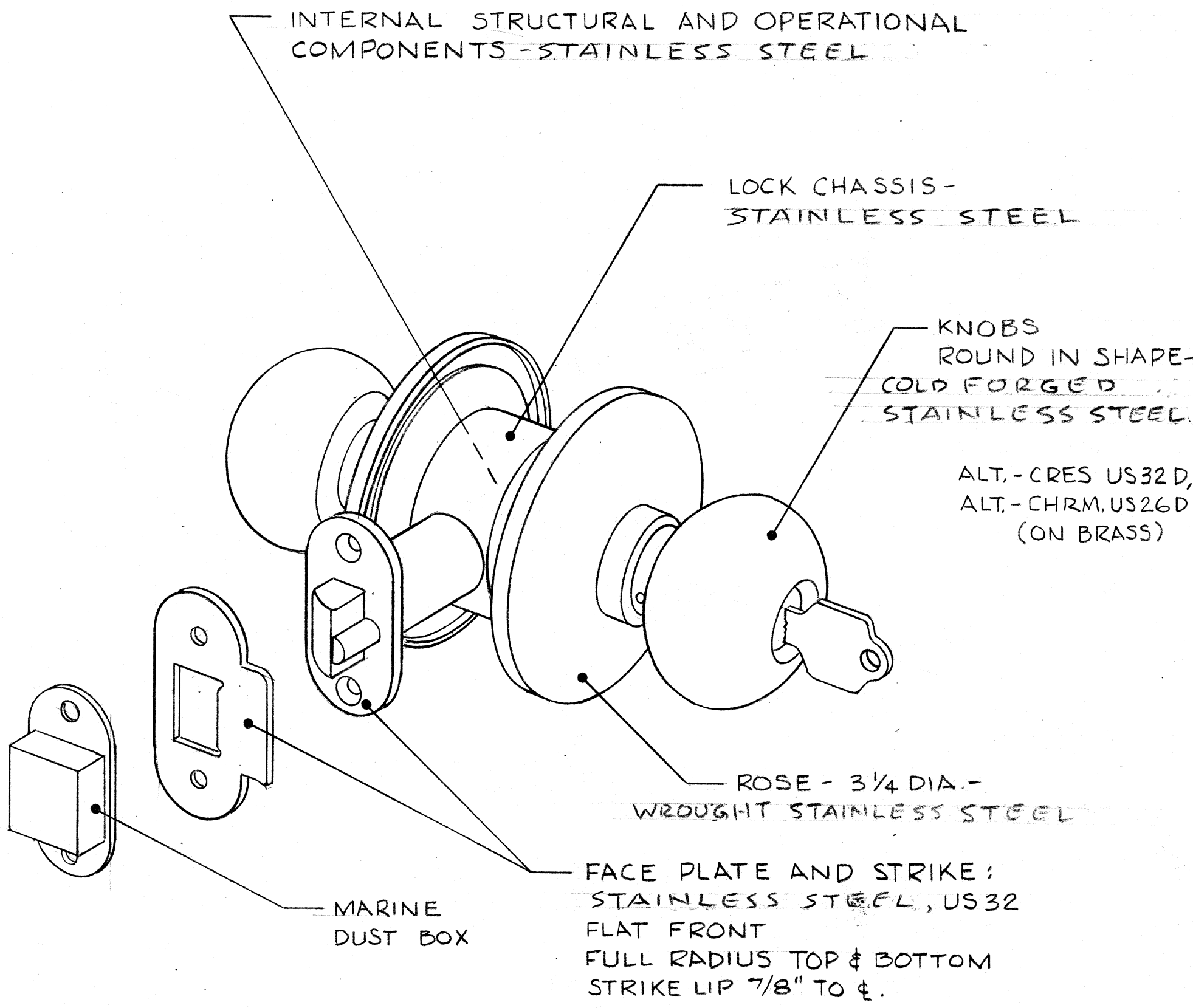
**SECTION**

**CONTENTS**

\*\*\*\*\*

<b>10</b>	<b>LOCKSETS, DOOR Joiner / Exterior</b>
<b>15</b>	<b>PADLOCKS &amp; HASPS High / Low Security</b>
<b>20</b>	<b>HARDWARE, JOINER DOOR Closers, Hinges, etc.</b>
<b>30</b>	<b>WASHROOM EQUIPMENT Dispensers, Holders, Spring Hinges, Latches</b>
<b>50</b>	<b>FURNITURE/LOCKER HARDWARE Handles, Pulls, Slides</b>
<b>60</b>	<b>SAFETY PRODUCTS Smoke-Gard® Curtains Hatch Blankets Emergency Eye Wash</b>





NOTES:

- 1) BACKSET 2 3/4 INCH.
- 2) DOOR THICKNESS 1 3/8 INCH.
- 3) ALL CRES PARTS PASSIVATED IAW QQ-P-35.
- 4) LOCKSETS I.A.W. FF-H-106 TYPE 161-T, -D, ETC.
- 5) REF NAVSEA 805-4629248 P. 4 ETC.

**MADE IN U.S.A.**

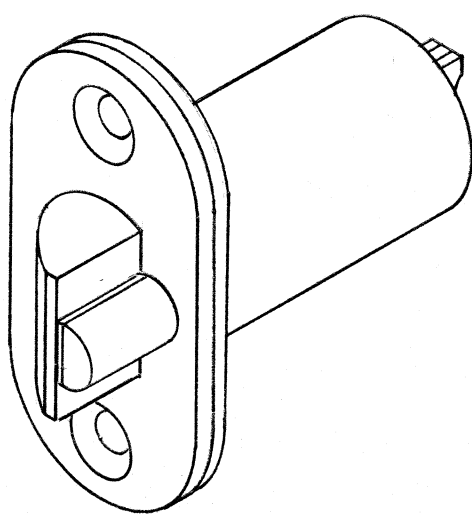
SH 1

<b>PRODUCT</b> LOCKSET-JOINER DOOR U.S. NAVY	<b>HMS PART NO.</b> HMS-10-SERIES	<b>REV.</b> -
---	--------------------------------------	------------------

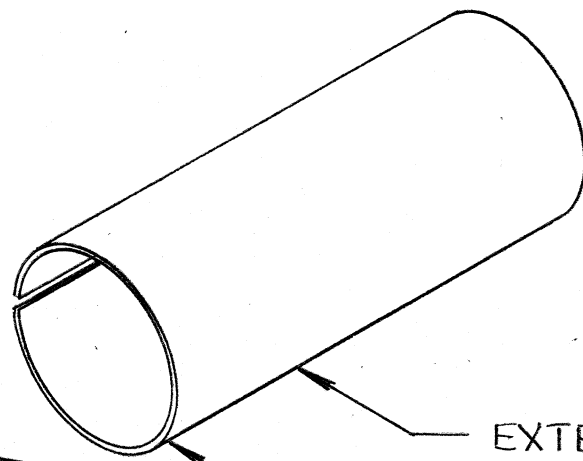
**HMS MARINE HARDWARE, INC.**

TEL: 516-546-1300 FAX: 516-623-9155  
 WWW.HMS-MARINE-HARDWARE.COM



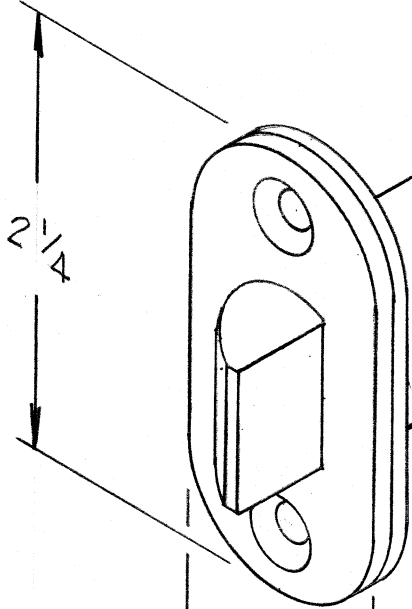


LATCHBOLT WITH DEADBOLT  
ALL STAINLESS  
HMS-10-117



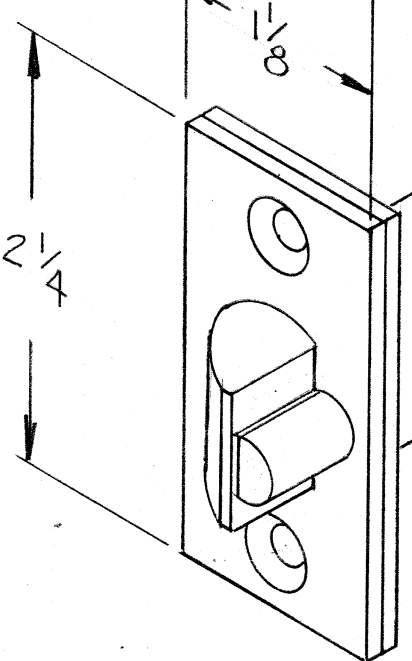
EXTENSION SLEEVE  
(BRASS)

HMS-10-113 EXTENSION  
3 3/4 BACKSET EXTENSION  
PLATED & DICHROMATED  
STEEL (SEE NOTES)



2 1/4

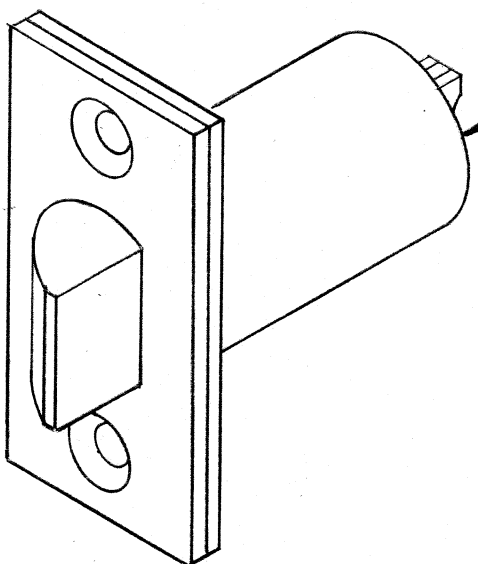
LATCHBOLT ASSEMBLY  
(ALL STAINLESS)  
HMS-10-116  
FULL RADIUS FACE AND STRIKE



1/8

2 1/4

LATCHBOLT ASSEMBLY WITH DEADBOLT  
(ALL STAINLESS)  
HMS-10-115



LATCHBOLT ASSEMBLY  
(ALL STAINLESS)  
HMS-10-114  
2 3/4 BACKSET (1/8 EXTENSION)

NOTE -

LATCHBOLT EXTENSION HMS-10-113  
AVAILABLE FOR ALL 2 3/4 BACKSET  
LATCHBOLTS.

MADE IN U.S.A.

SH 2

PRODUCT

LATCHBOLT ASSEMBLIES

HMS

HMS PART NO.  
10-SERIES

REV.

B

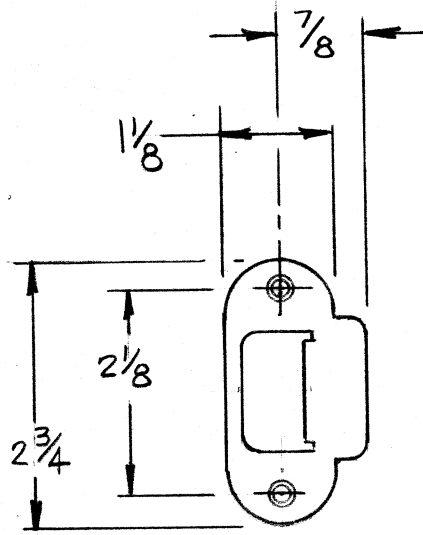
**HMS MARINE HARDWARE, INC.**

TEL: 516-546-1300 FAX: 516-623-9155  
WWW.HMS-MARINE-HARDWARE.COM

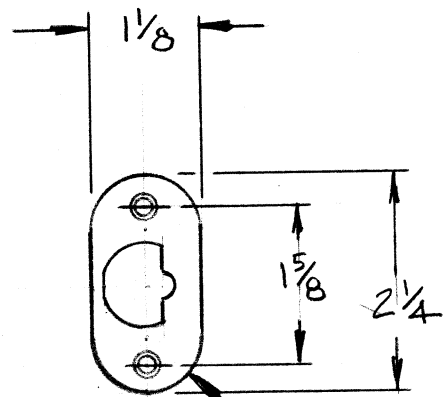


**FUNCTION:**

KEY-LOCKS OR UNLOCKS OUTSIDE KNOB, AND RELEASES INSIDE PUSH-BUTTON, PUSH BUTTON ALSO RELEASED BY ROTATING INSIDE KNOB OR BY CLOSING DOOR, THIS PREVENTS ACCIDENTAL LOCK-OUT.

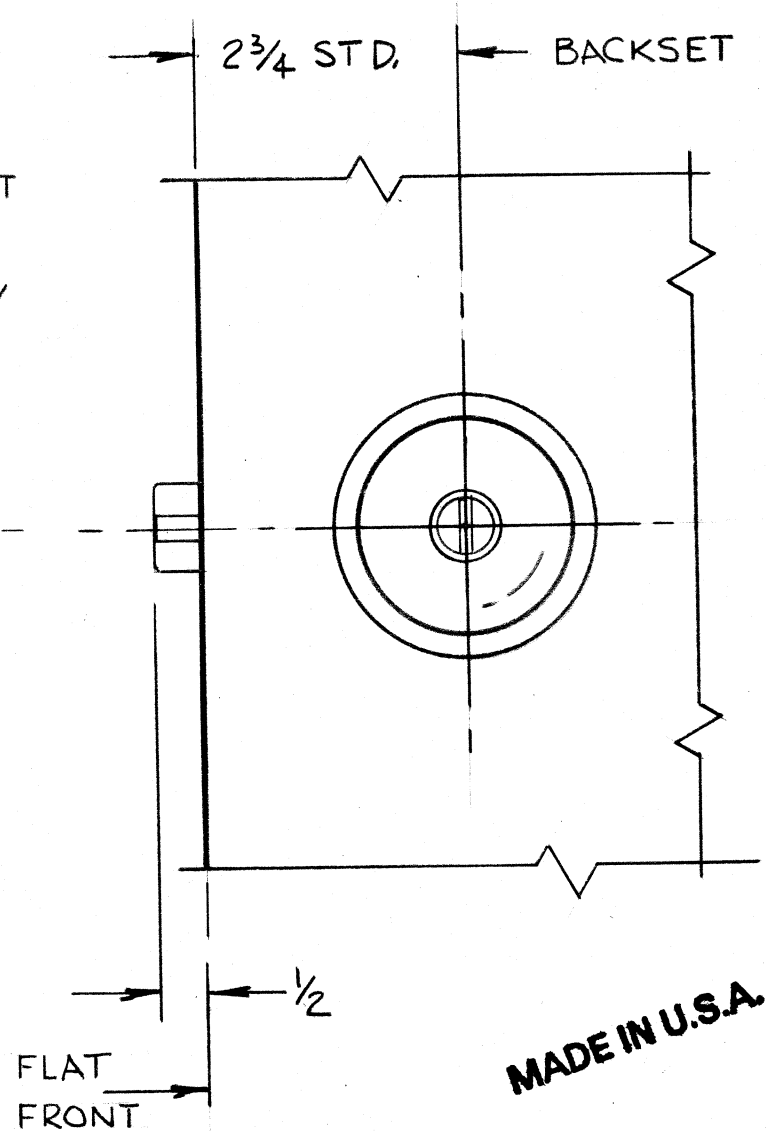
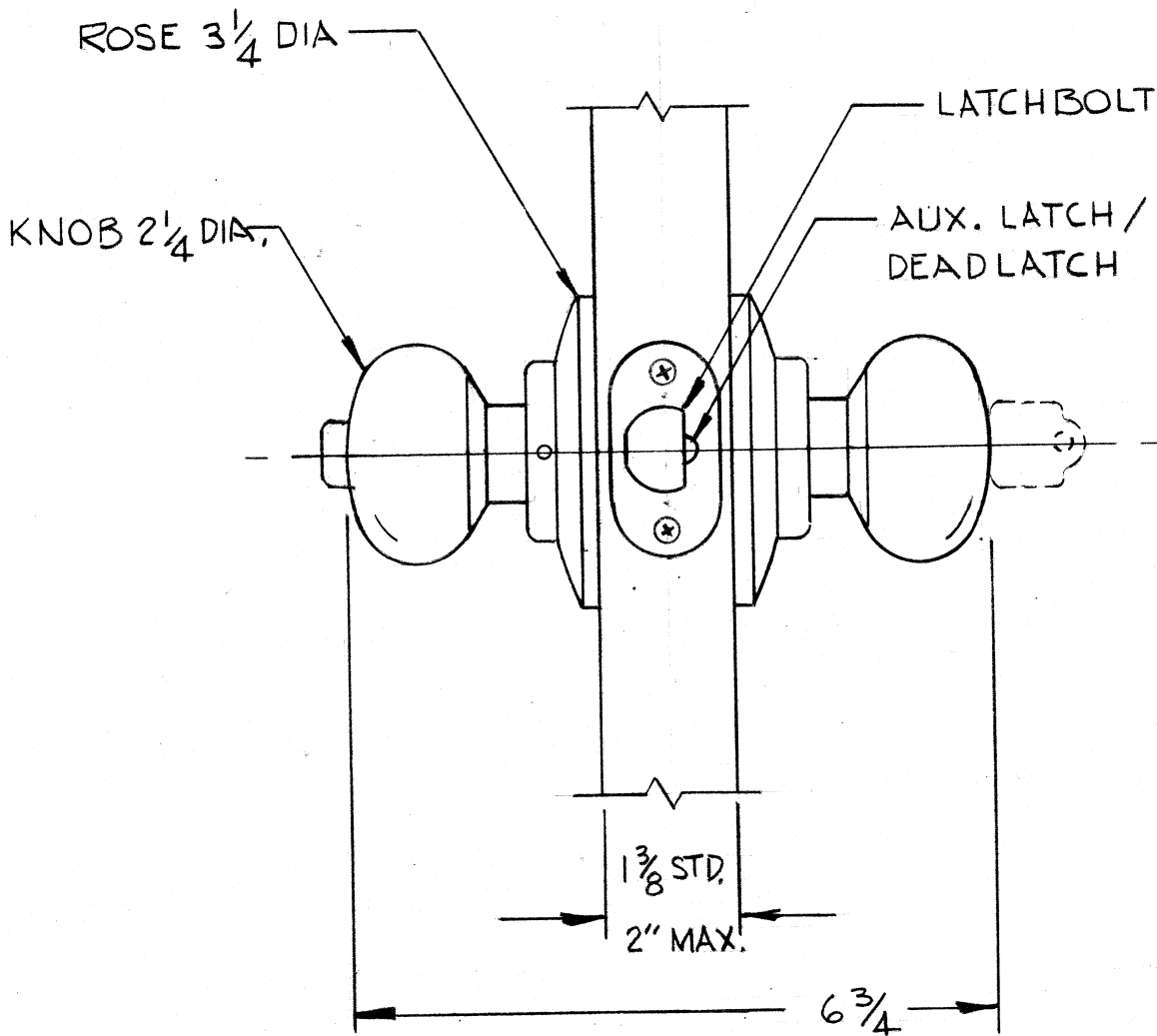


STRIKE PLATE



FACE PLATE

FULL RADIUS (ALL)



**MADE IN U.S.A.**

**CONSTRUCTION:**

CHASSIS AND INTERNAL COMPONENTS STAINLESS STEEL ("CRES")

STRIKE AND FACE PLATE TYPE 302 OR 304 STAINLESS STEEL, US32D FINISH.

DASH	KNOB S & ROSES
32	US32 Bright Stainless Steel
32D	US32D Dull Stainless Steel

DASH	KEYING
A	Alike
D	Differently (Std.)
MK	Master Keyed (Send Key List)
GMK	Grand Master Keyed (Send Key List)

EXAMPLE P/N:  
HMS-10-101-32D

SPECIFICATION: FF-H-106C TYPE 161-T-4

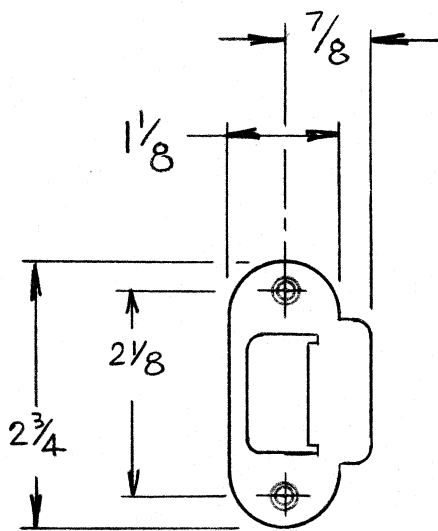
PRODUCT	HEAVY DUTY MARINE, LOCKSET-DORMITORY FUNCTION,	TYPE-	US, NAVY	HMS PART NO.	HMS-10-101-__-__	REV.	C
---------	--	-------	----------	--------------	------------------	------	---

**HMS MARINE HARDWARE, INC.**

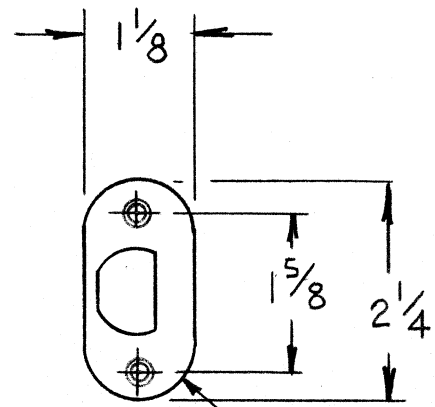
TEL: 516-546-1300 FAX: 516-623-9155  
WWW.HMS-MARINE-HARDWARE.COM

FUNCTION:

EITHER KNOB OPERATES  
LATCHBOLT AT ALL TIMES,  
LATCHBOLT SPRING-  
LOADED,

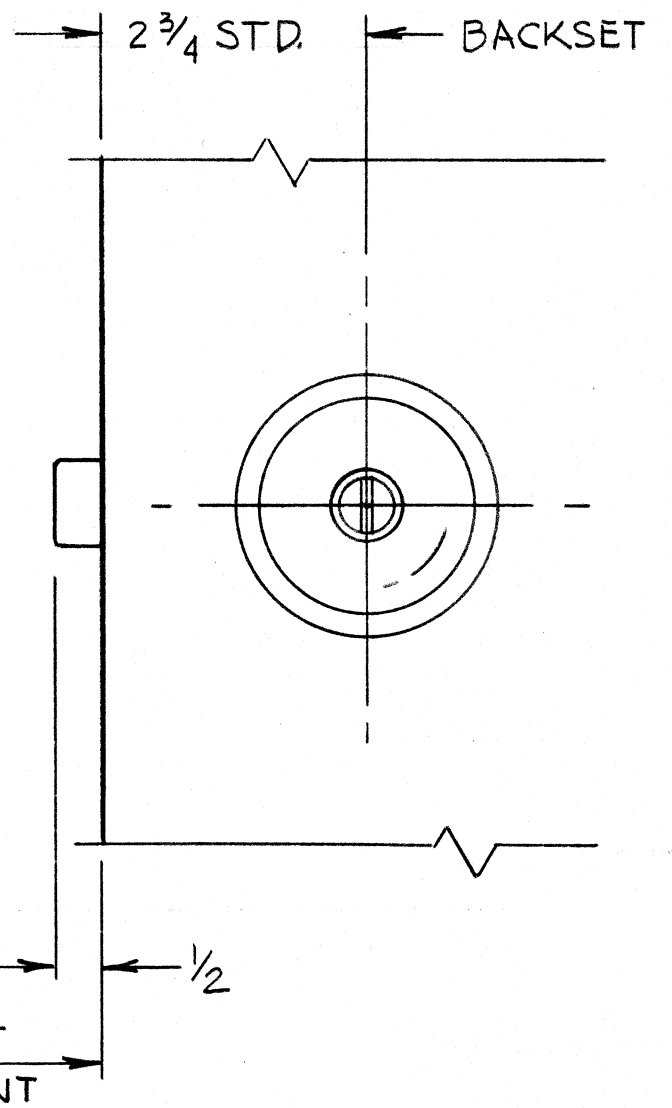
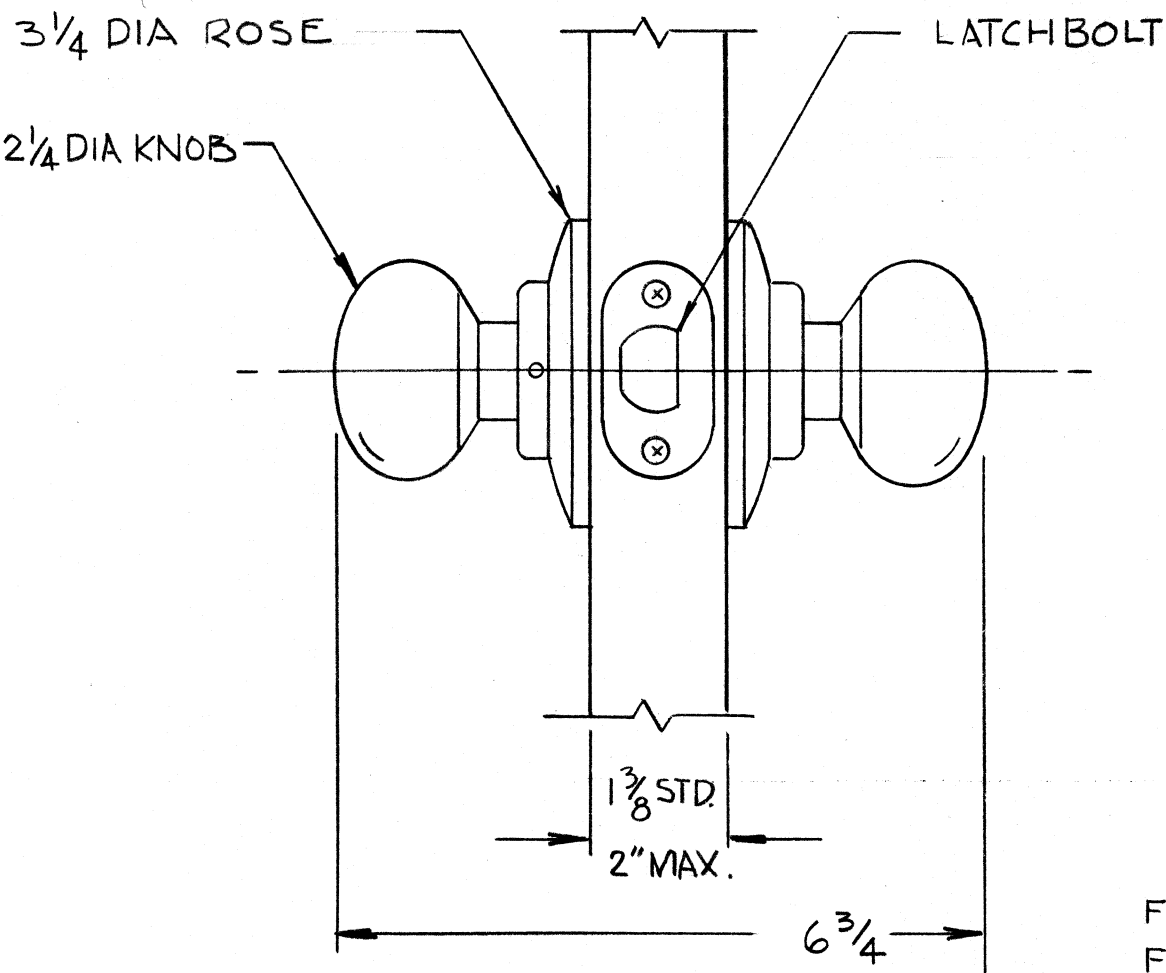


STRIKE  
PLATE



FULL RADIUS

FACE  
PLATE



**MADE IN U.S.A.**

CONSTRUCTION:

CHASSIS AND INTERNAL COMPONENTS  
STAINLESS STEEL.

STRIKE AND FACE PLATE  
STAINLESS STEEL ("CRES"), US32 D  
FINISH,

DASH	KNOBS & ROSES
32	US32 Bright Stainless Steel
32D	US32D Dull Stainless Steel

EXAMPLE P/N  
HMS-10-102-32D

SPECIFICATION: FF-H-106 Type 161-N-4

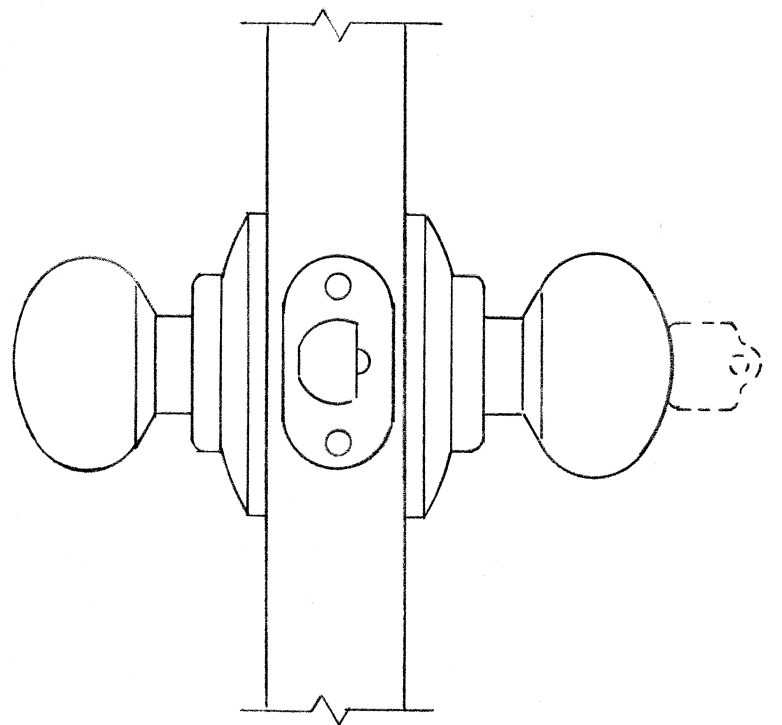
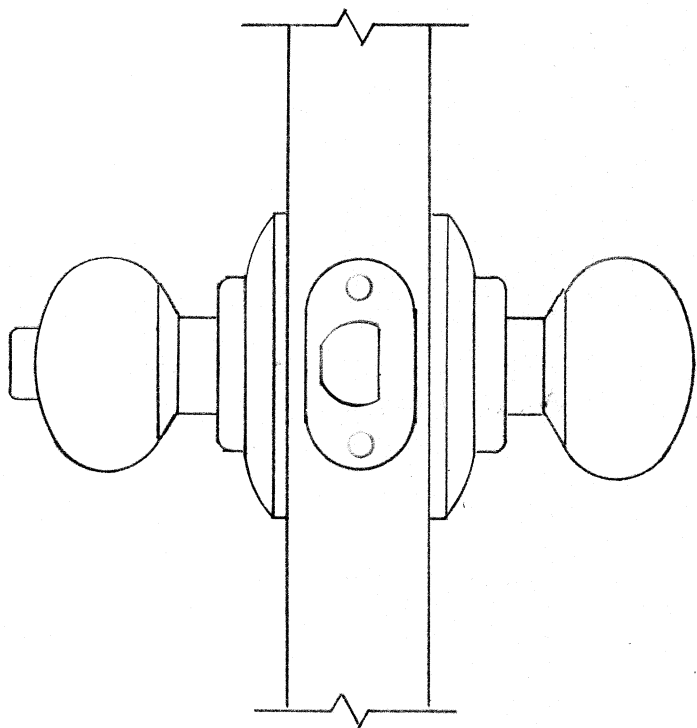
PRODUCT HEAVY-DUTY MARINE, LATCH SET - PASSAGE	TYPE U.S. NAVY	HMS PART NO. HMS-10-102-__	REV. A
--	-------------------	-------------------------------	-----------

**HMS MARINE HARDWARE, INC.**

TEL: 516-546-1300 FAX: 516-623-9155  
WWW.HMS-MARINE-HARDWARE.COM

PRIVACY / BATHROOM

STORE ROOM / EXIT



FF-H-106 TYPE 161-L-4

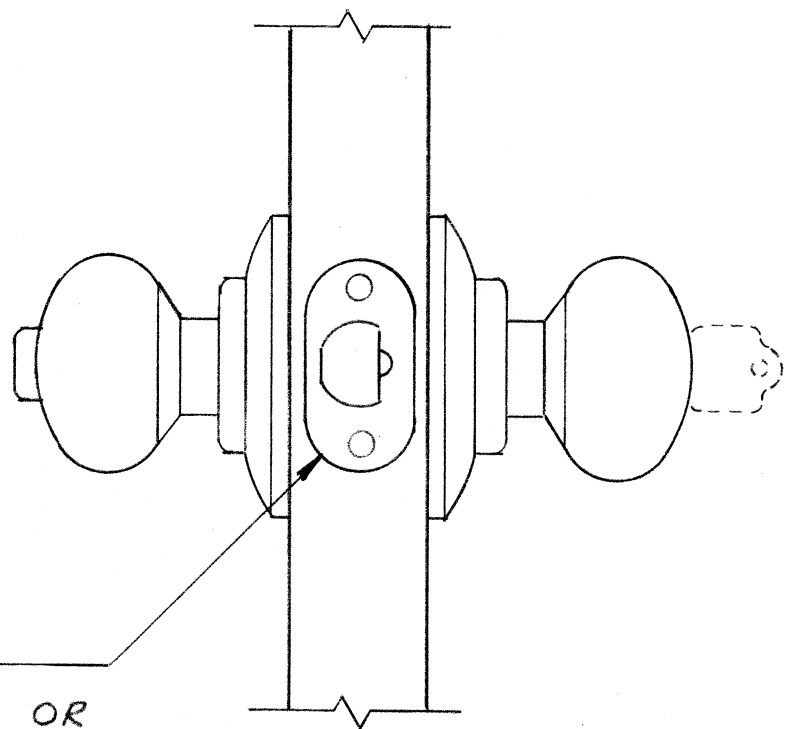
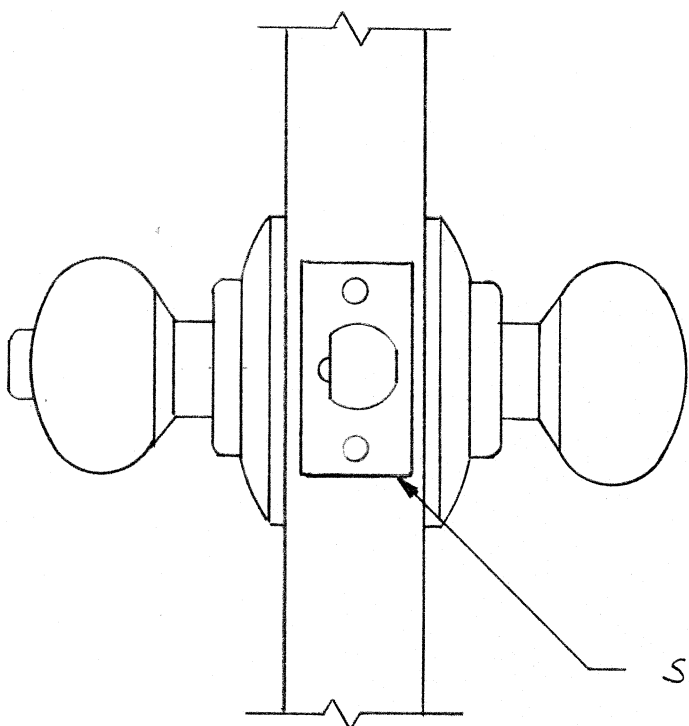
P/No. HMS-10-103-\_\_

FF-H-106 TYPE 161-D-4

P/No. HMS-10-104-\_\_

INNER OFFICE / TERRACE

OUTER OFFICE / EXTERIOR



SPECIFY -  
RECTANGULAR OR  
FULL RADIUS LATCH  
AND STRIKE

FF-H-106 TYPE 161-P-4

P/No. HMS-10-106-\_\_

TRIM (32,320)  
SEE PAGE -10-101

FF-H-106 TYPE 161-B-4

P/No. HMS-10-108-\_\_

PRODUCT

LOCKSETS - JOINER DOOR

HEAVY DUTY  
MARINE

HMS PART NO.

HMS-10-103 ETC

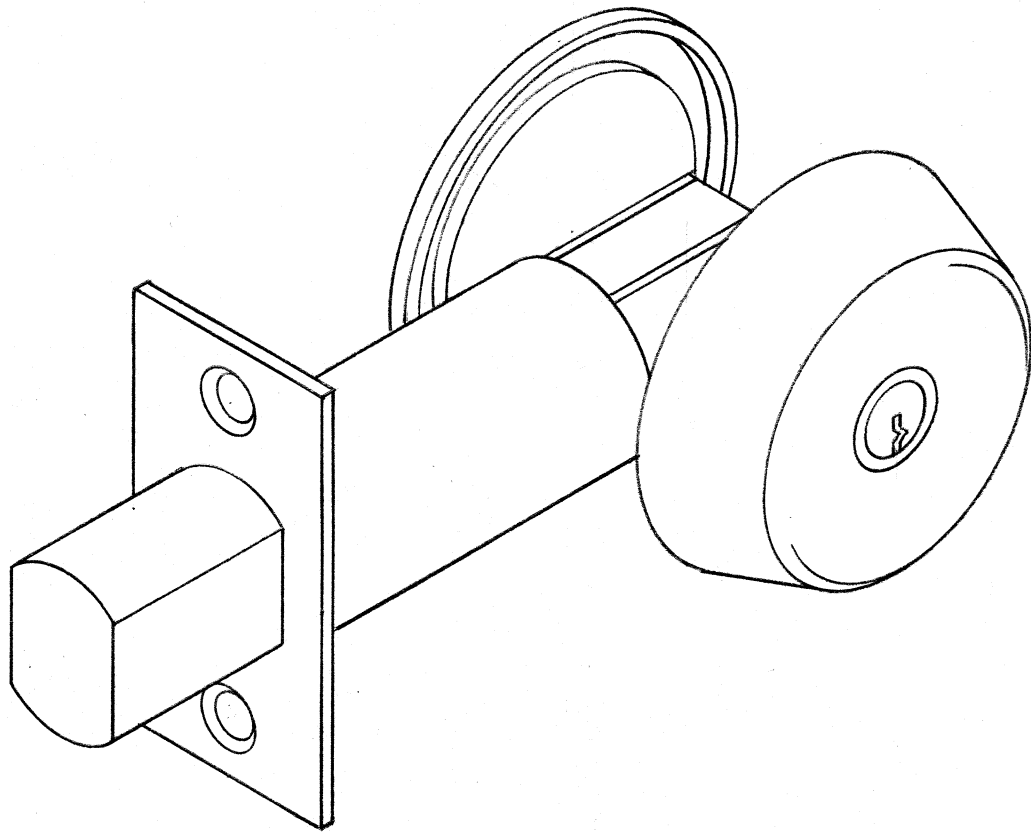
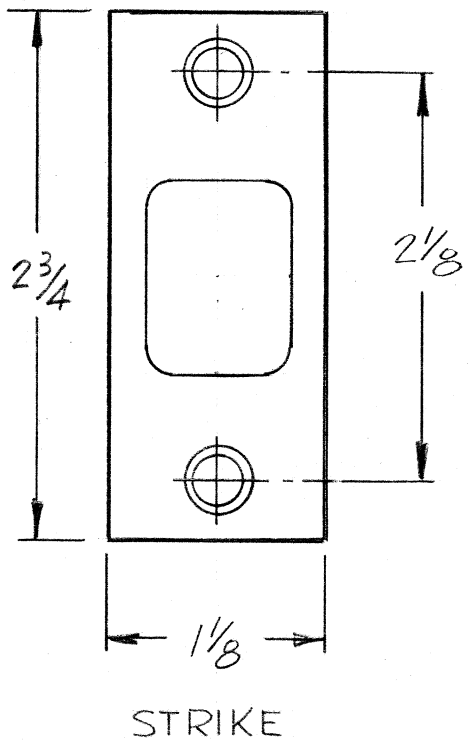
REV.

A

**HMS MARINE HARDWARE, INC.**

TEL: 516-546-1300 FAX: 516-623-9155  
WWW.HMS-MARINE-HARDWARE.COM





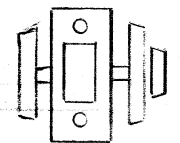
NOTES :

- 1) DOOR THICKNESS  
1 3/8 TO 1 3/4
- 2) BACKSET  
2 3/8 AVAIL } SPECIFY  
2 3/4 STD }
- 3) MATERIAL  
BOLT- SOLID STEEL + HARDENED PIN  
LOCK ASS'Y - STEEL
- 4) FINISHES  
US- 3, 4, 5 , 10, 10B, 15A, 26, 26D
- 5) SPECIFICATIONS:  
ANSI E 0141, 0151, 0161, 0171, 01111
- 6) CERTIFICATIONS:  
ANSI A156.5 GRADE 1  
(FF-H-1819)

FUNCTIONS

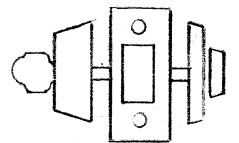
DASH - D60

THUMBTURN/PLATE



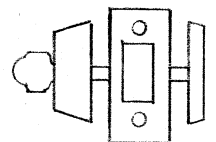
-D61

KEY/THUMBTURN



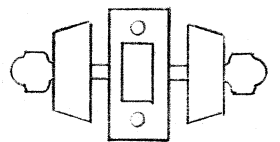
-D63

KEY/PLATE



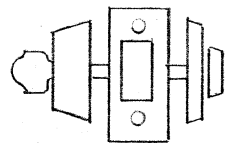
-D62

KEY/KEY



-D64

KEY/THUMBTURN  
(THUMBTURN WILL  
RETRACT BOLT ONLY)



EXAMPLE PART NO.

HMS-10-120-D61

FORMERLY:  
SERIES 961

PRODUCT

DEADLOCK-EXTRA HEAVY DUTY

HMS PART NO.

HMS - 10 - 120 -

REV.

A

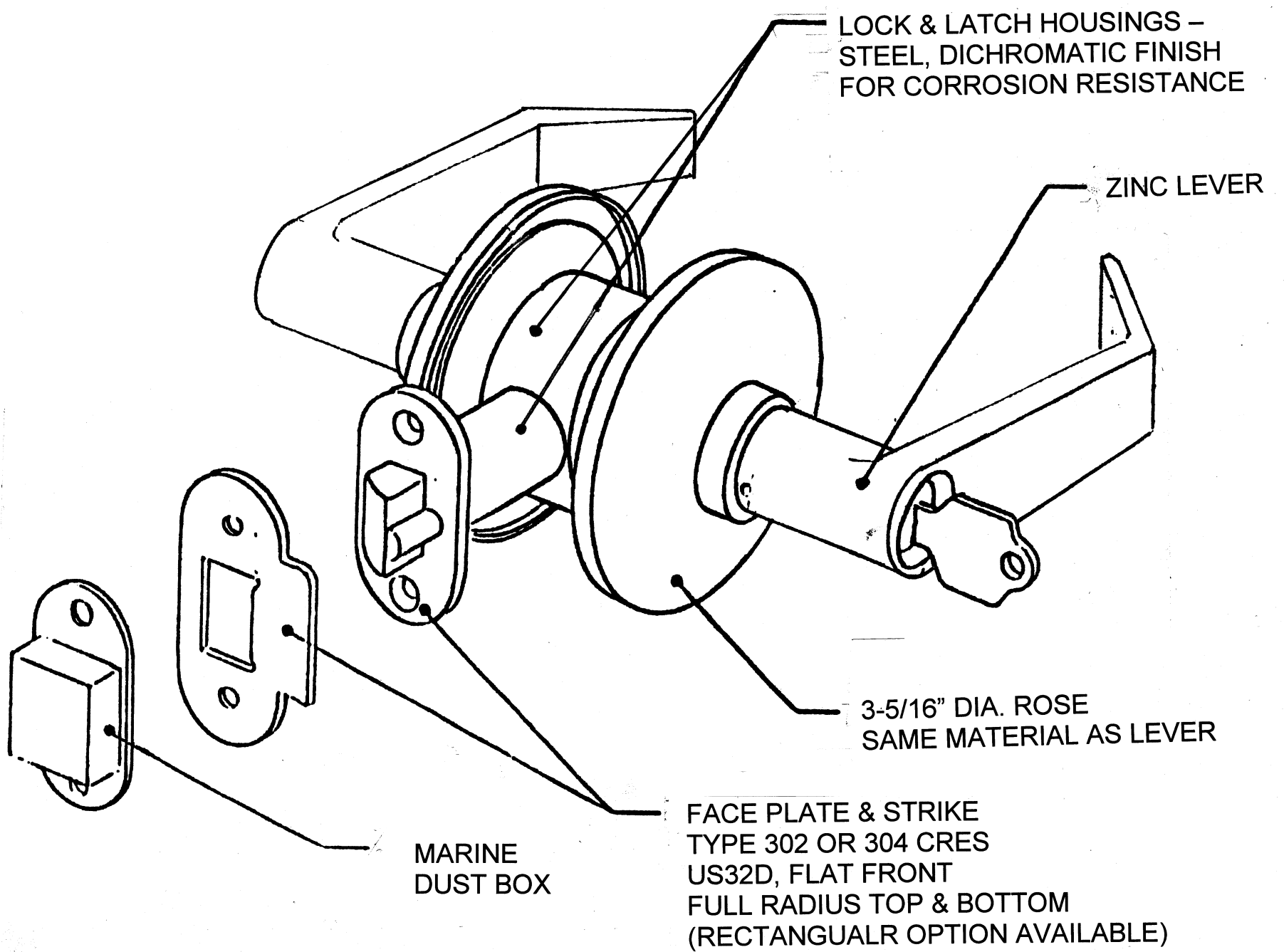
**HMS MARINE HARDWARE, INC.**

TEL: 516-546-1300

FAX: 516-623-9155

WWW.HMS-MARINE-HARDWARE.COM

FAX: (516) 568-2057



NOTES:

- 1) 2-3/4" BACKSET (3-3/4" & 5" OPTIONAL)
- 2) 1-3/4" DOOR THICKNESS
- 3) 6-PIN KEYWAY
- 4) LOCKSETS IAW FF-H-106C  
ANSI A117.1, A156.2
- 5) AVAILABLE IN VARIOUS FUNCTIONS  
TYPE 161-T, 161-N, 161-D, ETC.

PRODUCT

LOCKSET – Joiner Door

HMS PART NO.

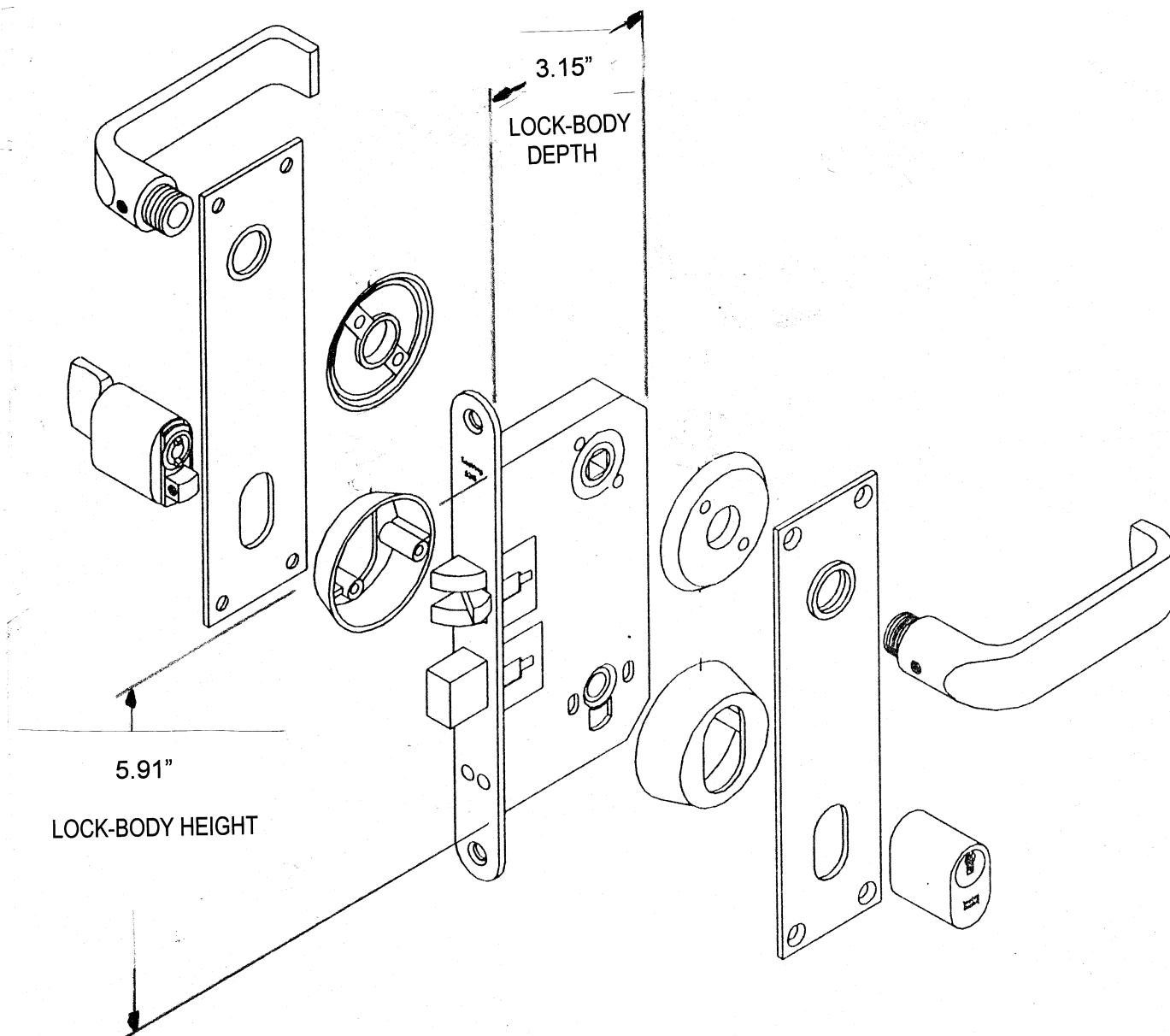
HMS-10-200 SERIES

REV.

A

**HMS MARINE HARDWARE, INC.**

TEL: 516-546-1300 FAX: 516-623-9155  
WWW.HMS-MARINE-HARDWARE.COM



NOTES:

- 1) Backset ..... 2.17" (55mm)
- 2) Lock Body..... Thickness .709" (18mm)  
Height 5.91" (150mm)  
Depth 3.15" (80mm)
- 3) Face Plate Dim..... .867" (22mm) x 8.274" (210mm)
- 4) Material ..... Stainless Steel Mechanism & Case
- 5) Functions ..... Cabin Door (Locking) (HMS-10-300-101)  
Passage (Non-Locking) (HMS-10-300-102)  
Bathroom (Locking) (HMS-10-300-103)

Other Styles Available

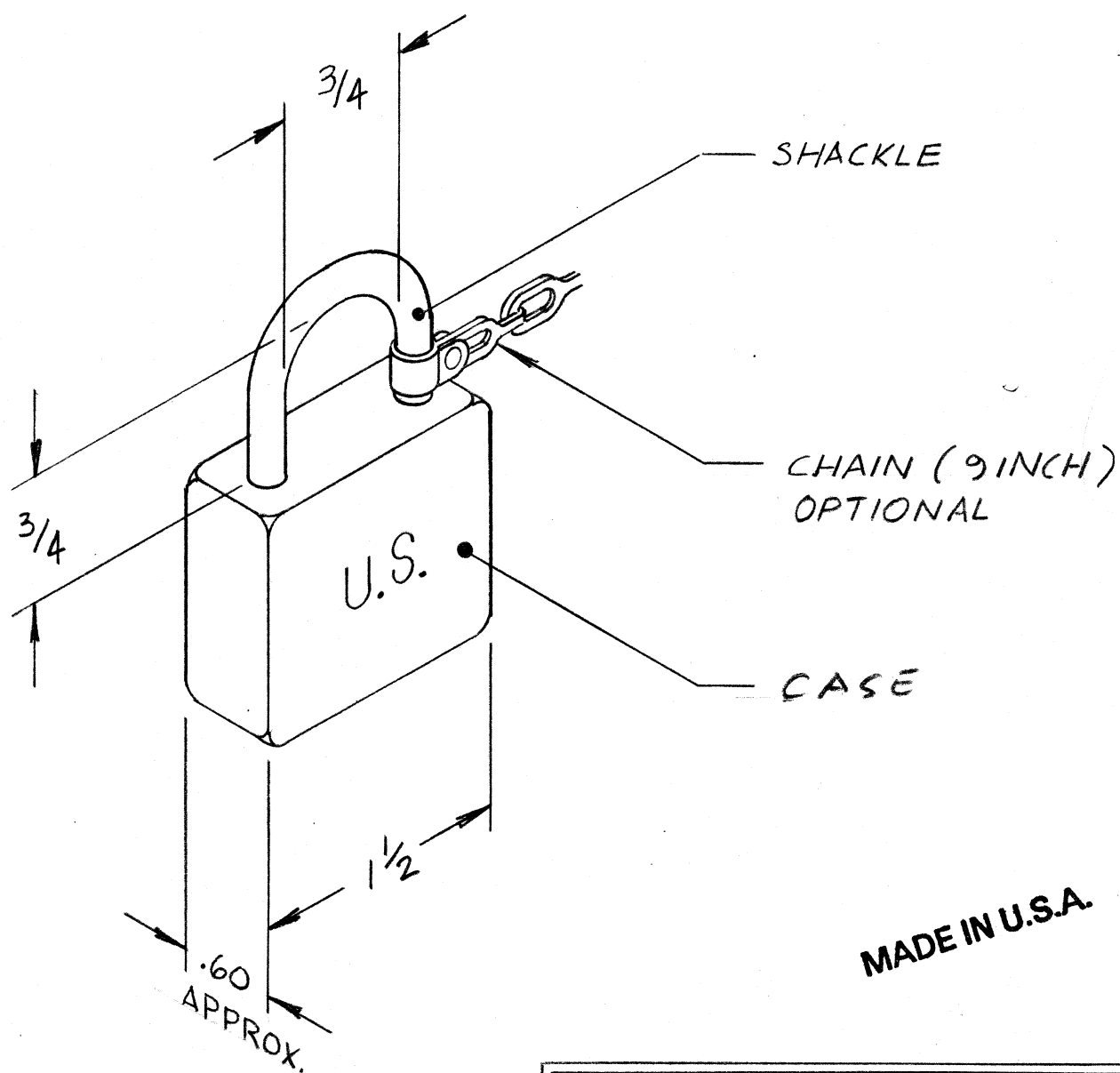
<b>PRODUCT</b> LOCKSET, MARINE (STAINLESS STEEL)	<b>HMS PART NO.</b> HMS-10-300 SERIES	<b>REV.</b>
---	--	-------------

**HMS MARINE HARDWARE, INC.**

TEL: 516-546-1300 FAX: 516-623-9155  
 WWW.HMS-MARINE-HARDWARE.COM







**FEATURES:**

- 5 PIN TUMBLER
- KEY RETAINING (UNLOCKED)
- HEEL AND TOE LOCKING

**SPECIFICATION COMPLIANCE:**

FF-P-101  
 MIL-P-17802, GRADE I OR III  
 MS21313  
 MS35647

TABLE I	
DASH	DESCRIPTION
1	SHACKLE & CASE: BRASS
2	SHACKLE: HARDENED STEEL CASE: BRASS
13C	SHACKLE, CASE & 9" CHAIN: BRASS
23C	SHACKLE: HARDENED STEEL CASE: BRASS 9" CHAIN: PLATED STEEL

**EXAMPLE PART NO.**

HMS-15-100-13C-3MK

BRASS SHACKLE  
 BRASS CASE  
 WITH CHAIN

PADLOCK SET  
 MASTER KEYED

TABLE II	
DASH	DESCRIPTION
1A	KEYED ALIKE
2D	KEYED DIFFERENTLY
3MK	MASTER KEYED *
4GMK	GRAND MASTER KEYED *
* TO CUSTOMER KEY LIST	

**PRODUCT**

PADLOCK - MILITARY,

REGULAR SHACKLE  
 SIZE 1 1/2 INCH

**HMS PART NO.**

HMS-15-100- - -

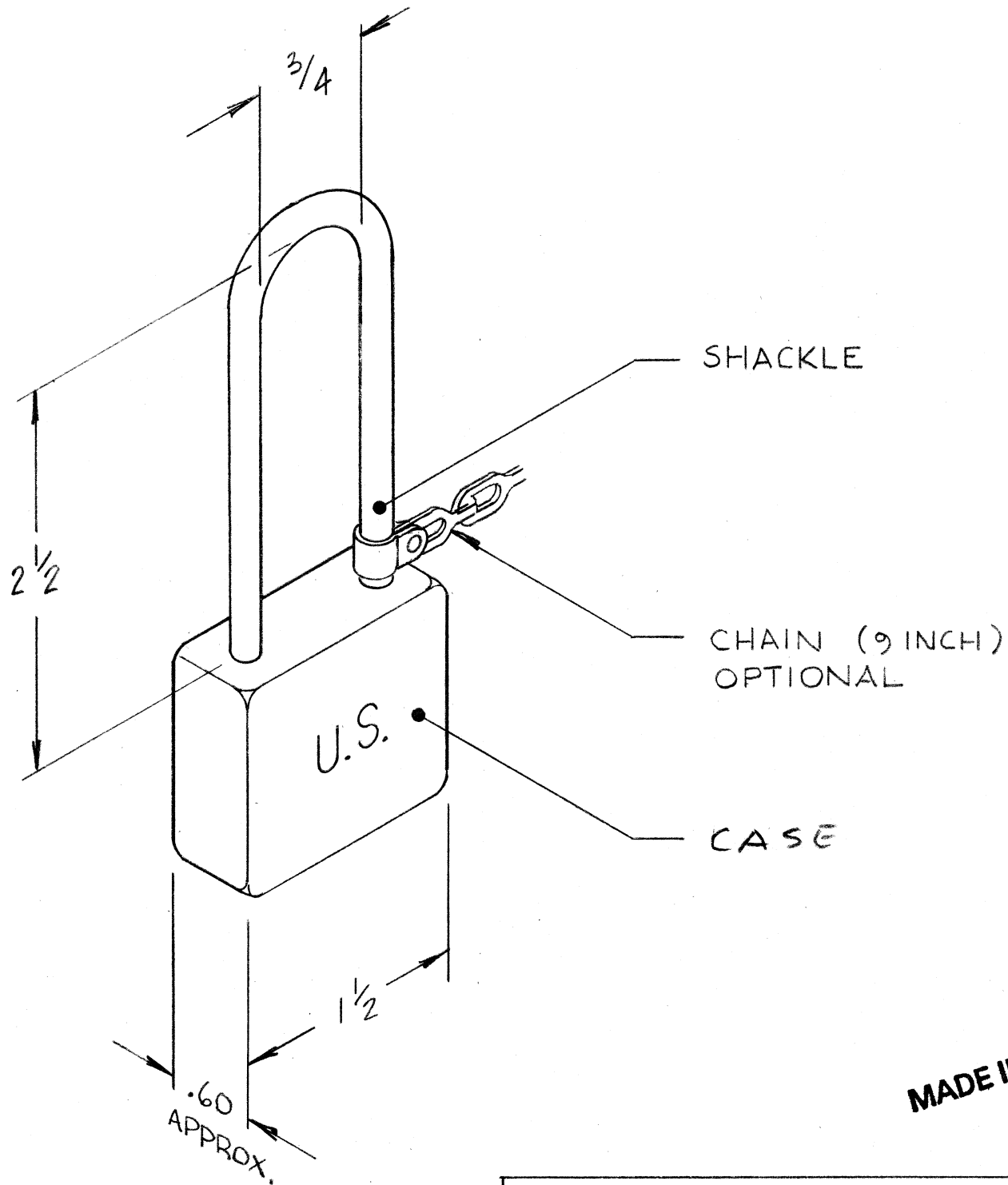
**REV.**

B

**HMS MARINE HARDWARE, INC.**

TEL: 516-546-1300 FAX: 516-623-9155  
 WWW.HMS-MARINE-HARDWARE.COM





MADE IN U.S.A.

NOTES :

- 1) FEATURES -  
 5 PIN TUMBLERS  
 KEY RETAINING  
 HEEL AND TOE LOCKING
  
- 2) SPECIFICATION COMPLIANCE :  
 FF-P-101  
 MIL-P-17802 GR I OR III  
 MS21313

TABLE I	
DASH	DESCRIPTION
1	SHACKLE & CASE: BRASS
2	SHACKLE: HARDENED STEEL CASE: BRASS
13C	SHACKLE, CASE & 9" CHAIN: BRASS
23C	SHACKLE: HARDENED STEEL CASE: BRASS 9" CHAIN: PLATED STEEL

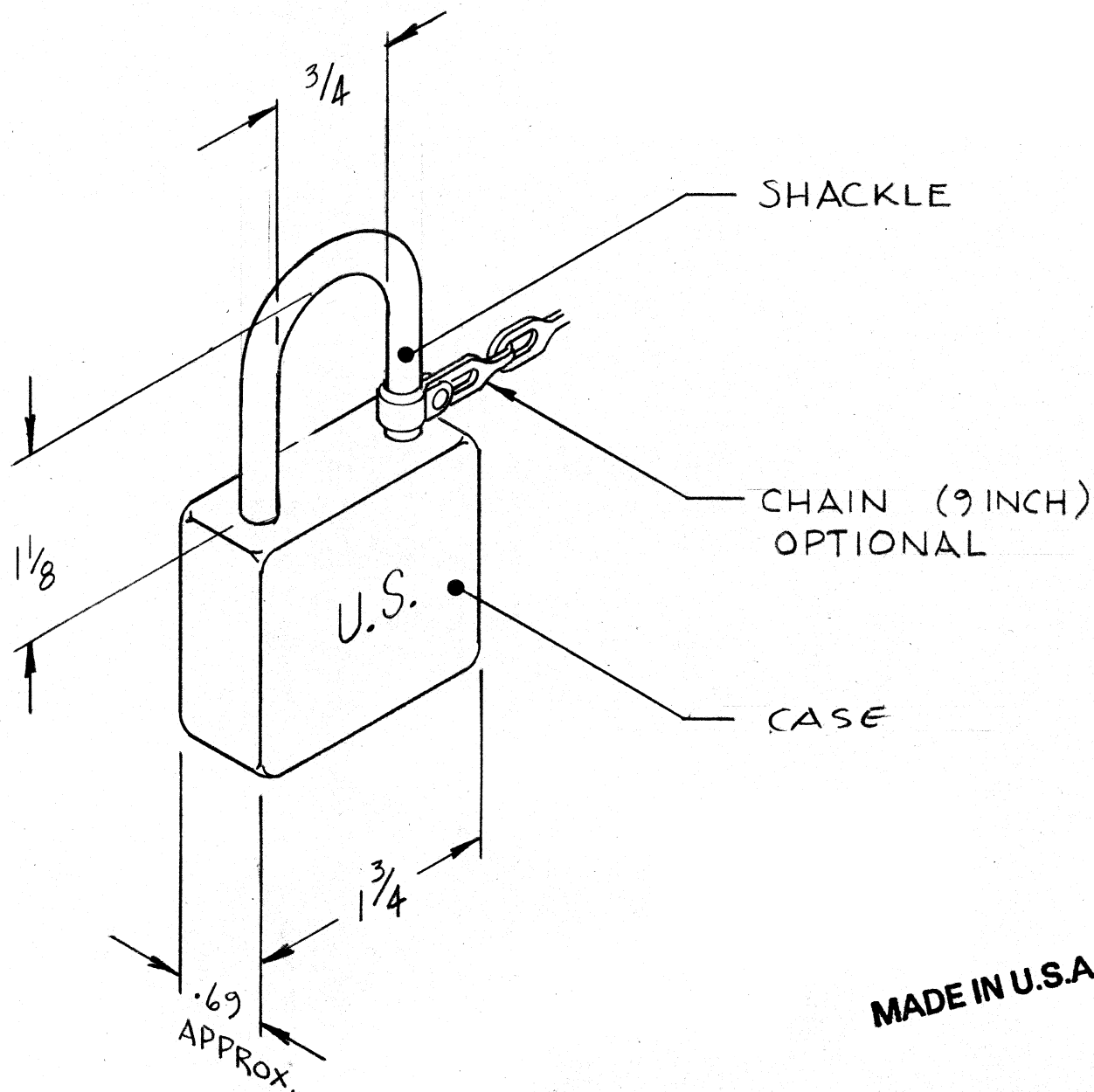
TABLE II	
DASH	KEYING
1A	KEY ALIKE
2D	KEY DIFFERENTLY
3MK	MASTER KEY *
4GMK	GRAND MASTER KEY *
* TO CUSTOMER KEY LIST	

EXAMPLE P/N  
 HMS-15-101-23C-2D  
 Steel Shackle, }  
 Brass Case, }  
 With Chain }  
 Keyed Differently

<b>PRODUCT</b> PADLOCK - MILITARY	LONG SHACKLE SIZE 1 1/2 INCH	<b>HMS PART NO.</b> HMS-15-101-__-__	<b>REV.</b> B
--------------------------------------	---------------------------------	---	------------------

**HMS MARINE HARDWARE, INC.**





NOTES —

1) FEATURES

- 5 PIN TUMBLERS
- KEY RETAINING (UNLOCKED)
- HEEL AND TOE LOCKING

2) AVAILABLE WITH: (SPECIFY-TABLE II)

- KEY ALIKE
- KEY INDIVIDUALLY
- MASTER / GRANDMASTER KEYING

3) SPECIFICATIONS:

- FF-P-101
- MIL-P-17802, GR II, STYLE A
- MS21313 (AS APPLICABLE)

EXAMPLE P/N

HMS-15-102-13C-2D

Steel Shackle & Case  
With Chain

Keyed Differently

TABLE I	
DASH	DESCRIPTION
1	SHACKLE & CASE: HARDENED STEEL
2	SHACKLE & CASE: BRASS
13C	SHACKLE & CASE: HARDENED STEEL 9" CHAIN: PLATED STEEL
23C	SHACKLE, CASE & 9" CHAIN: BRASS

TABLE II	
DASH	KEYING
1A	KEY ALIKE
2D	KEY DIFFERENTLY
3MK	MASTER KEY*
4GMK	GRAND MASTER KEY*
* TO CUSTOMER KEY LIST	

PRODUCT

PADLOCK-MILITARY

REGULAR SHACKLE  
SIZE 1 3/4 INCH

HMS PART NO.

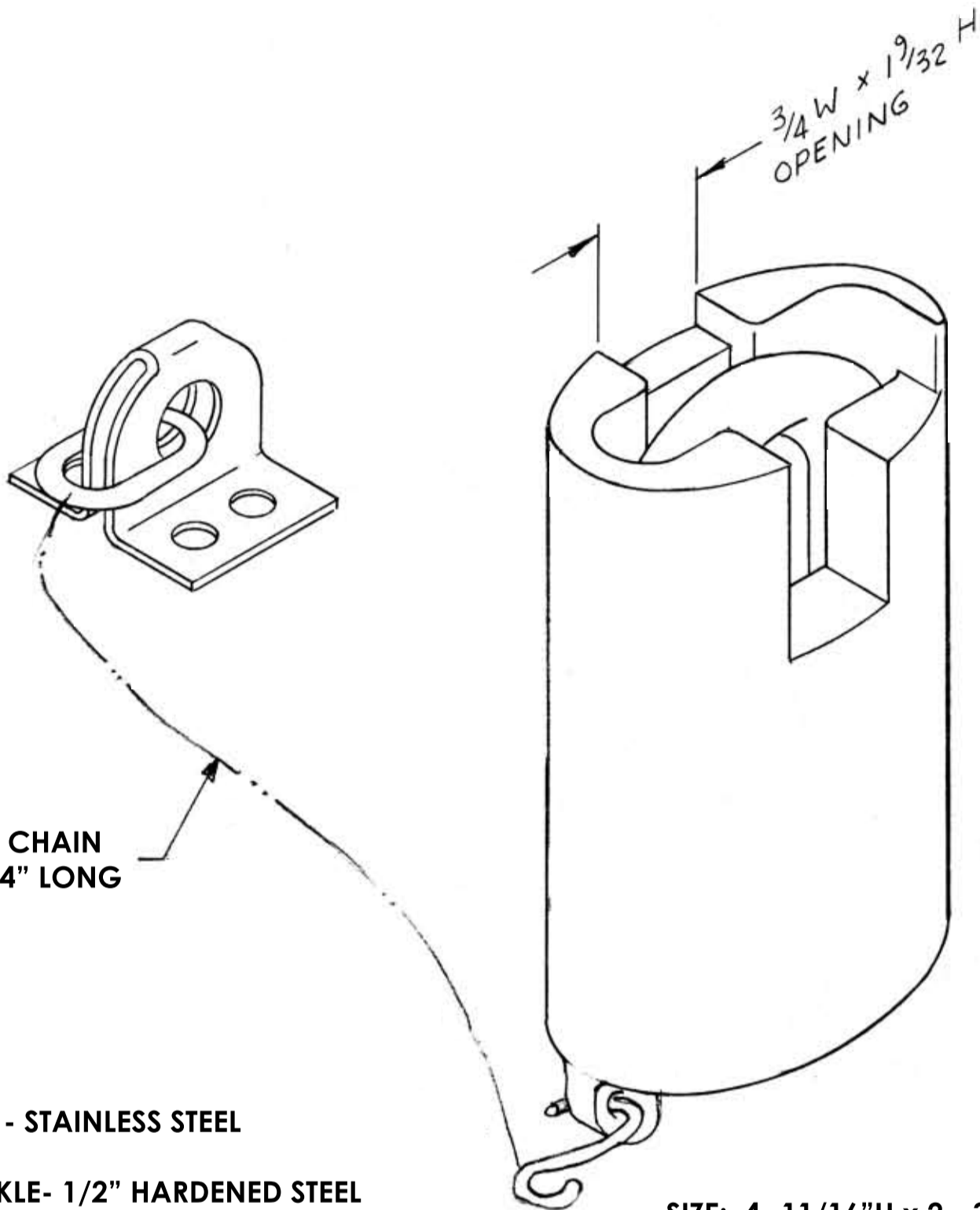
HMS-15-102-\_\_-\_\_

REV.

B

**HMS MARINE HARDWARE, INC.**

TEL: 516-546-1300 FAX: 516-623-9155  
WWW.HMS-MARINE-HARDWARE.COM



STEEL CHAIN  
10 3/4" LONG

BODY - STAINLESS STEEL

SHACKLE- 1/2" HARDENED STEEL

SHACKLE OPENING 5/8"

CYLINDER - PICK RESISTANT MEDECO

SUPPLIED WITH:

QTY 1 - CONTROL KEY

QTY 3 - OPERATOR KEYS

KEYED DIFFERENTLY ONLY.

LOCKS ARE FURNISHED WITH A PICK-RESISTANT  
MEDECO BIAXIAL KEY CYLINDER WITH  
COMMERCIAL KEYWAY.

SIZE: 4 - 11/16"H x 2 - 3/4"W x 1 - 13/16"D

WEIGHT: 4 LBS

MADE IN U.S.A.

<b>PRODUCT</b> PADLOCK, HIGH - SECURITY	<b>SERIES</b> 951C	<b>HMS PART NO.</b> HMS-15-109	<b>REV.</b> B
--	-----------------------	-----------------------------------	------------------

**HMS MARINE HARDWARE, INC.**

TEL: 516-546-1300

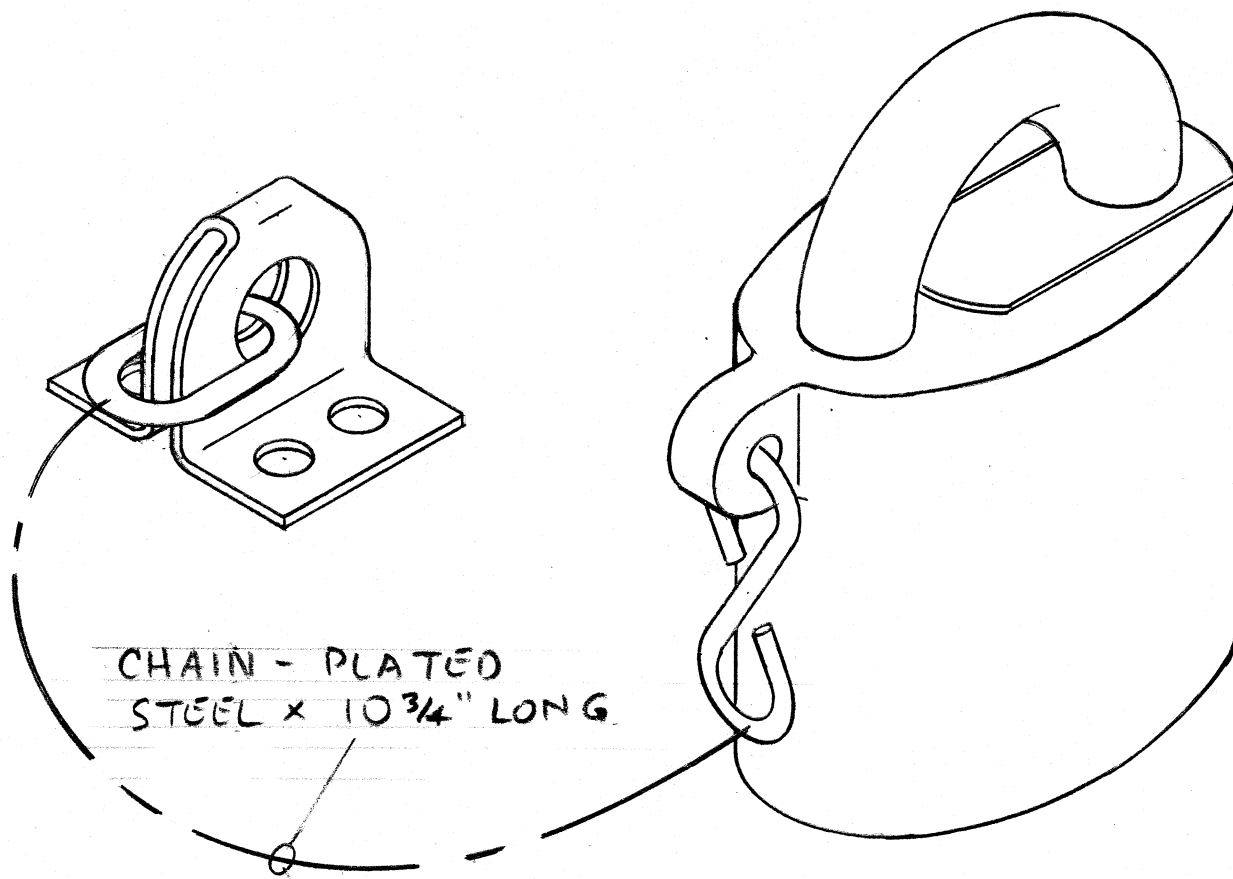
FAX: 516-623-9155

WWW.HMS-MARINE-HARDWARE.COM



DESCRIPTION :

BODY-CAST STAINLESS STEEL  
SHACKLE-HARDENED PLATED STEEL  
DEADLOCK BOLT STRENGTH - 12 TON  
CYLINDER-PICK RESIST MEDECO,  
KEYWAY- RESTRICTED  
KEY- RETAINED WHEN OPEN.  
USAGE- INDOOR OR OUTDOOR  
WEIGHT - 2 lbs.  
BODY SIZE- 2 1/4 H x 2 1/2 W x 1 5/8 D.



**MADE IN U.S.A.**

ALTHOUGH ORIGINALLY DESIGNED TO MEET STRINGENT GOVERNMENT SPECIFICATIONS, THESE LOCKS ARE FURNISHED WITH A PICK-RESISTANT MEDECO BI-AXIAL KEY CYLINDER WITH THE COMMERCIAL KEYWAY. THEY DO NOT MEET MILITARY SPECIFICATIONS.

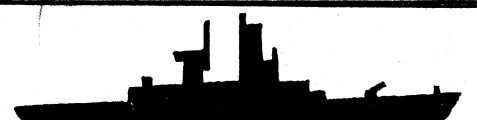
SUPPLIED WITH (1) CONTROL AND (3) OPERATOR KEYS

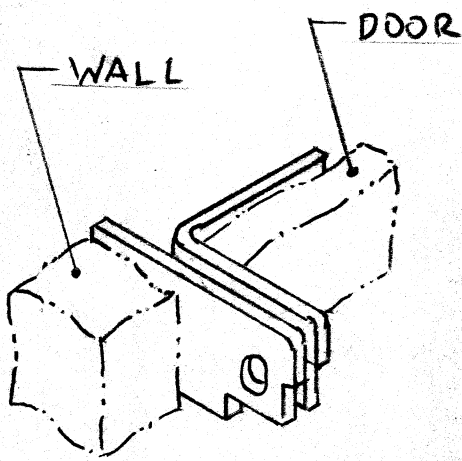
KEYED DIFFERENTLY ONLY.

PRODUCT	SERIES	HMS PART NO.	REV.
PADLOCK, MEDIUM-SECURITY	826A	HMS-15-110-__	B

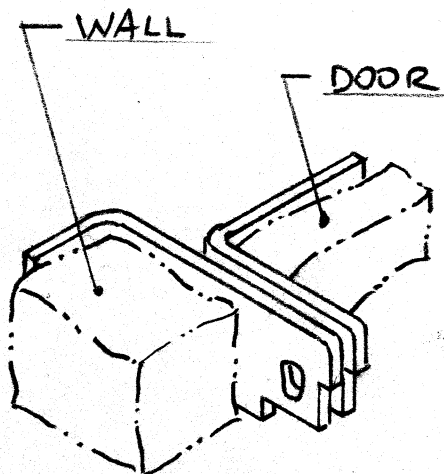
**HMS MARINE HARDWARE, INC.**

TEL: 516-546-1300 FAX: 516-623-9155  
WWW.HMS-MARINE-HARDWARE.COM

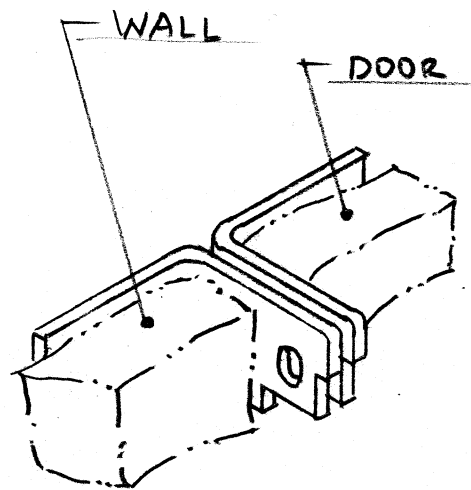




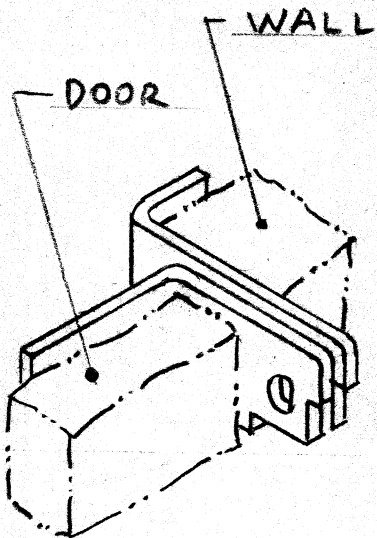
-1A (STEEL)  
-1B (CRCS)  
STYLE 1 - SINGLE DOOR, RIGHT HAND  
INSTALLATION, FLAT WALL



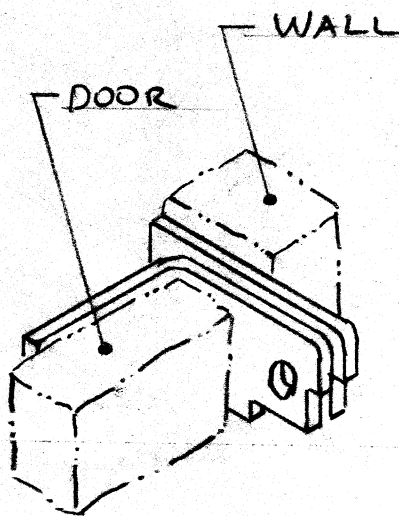
-2A (STEEL)  
-2B (CRCS)  
STYLE 2 - SINGLE DOOR, RIGHT HAND  
INSTALLATION, OFF-SET WALL



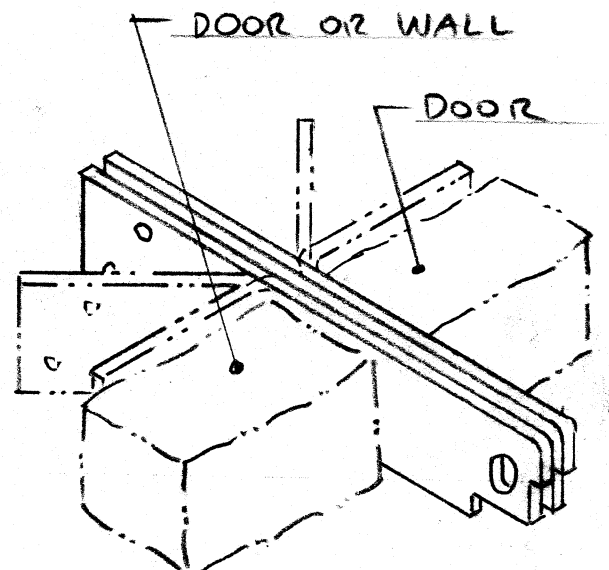
-3A (STEEL)  
-3B (CRCS)  
STYLE 3 - DOUBLE SLIDING  
OR OPEN OUT DOORS



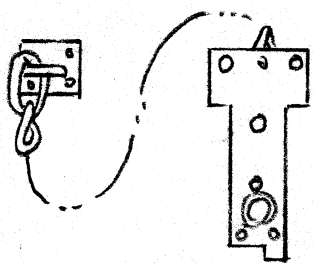
-4A (STEEL)  
-4B (CRCS)  
STYLE 4 - SINGLE DOOR, LEFTHAND  
INSTALLATION, OFF-SET WALL



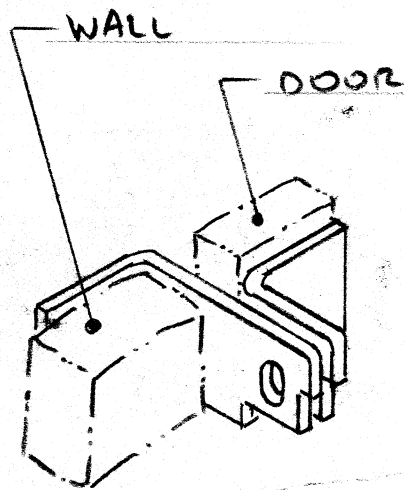
-5A (STEEL)  
-5B (CRCS)



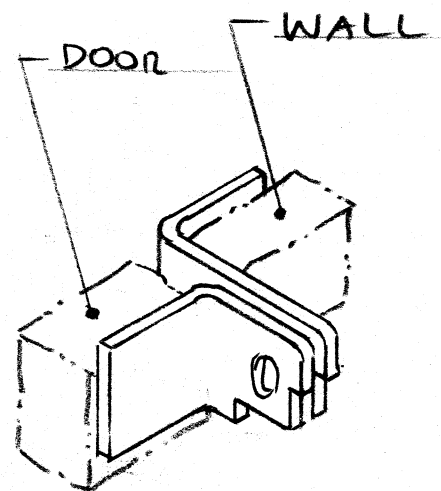
-6A (STEEL)  
-6B (CRCS)  
STYLE 6 - UNIVERSAL



-7 (STEEL)  
STYLE 7 - LOCKING "T"



-8 (CRCS)  
STYLE 8 - RIGHT HAND  
WELDED INSTALLATION



-9 (CRCS)  
STYLE 9 - LEFT HAND  
WELDED INSTALLATION

SPECIFICATION: MIL-H-43905

EXAMPLE PART NO: HMS-15-113-439/3A

= HASP SPEC. MIL-H-43905/3A (STYLE 3, STEEL)

PRODUCT

HASP, HIGH SECURITY

HMS PART NO.

HMS-15-113-439-

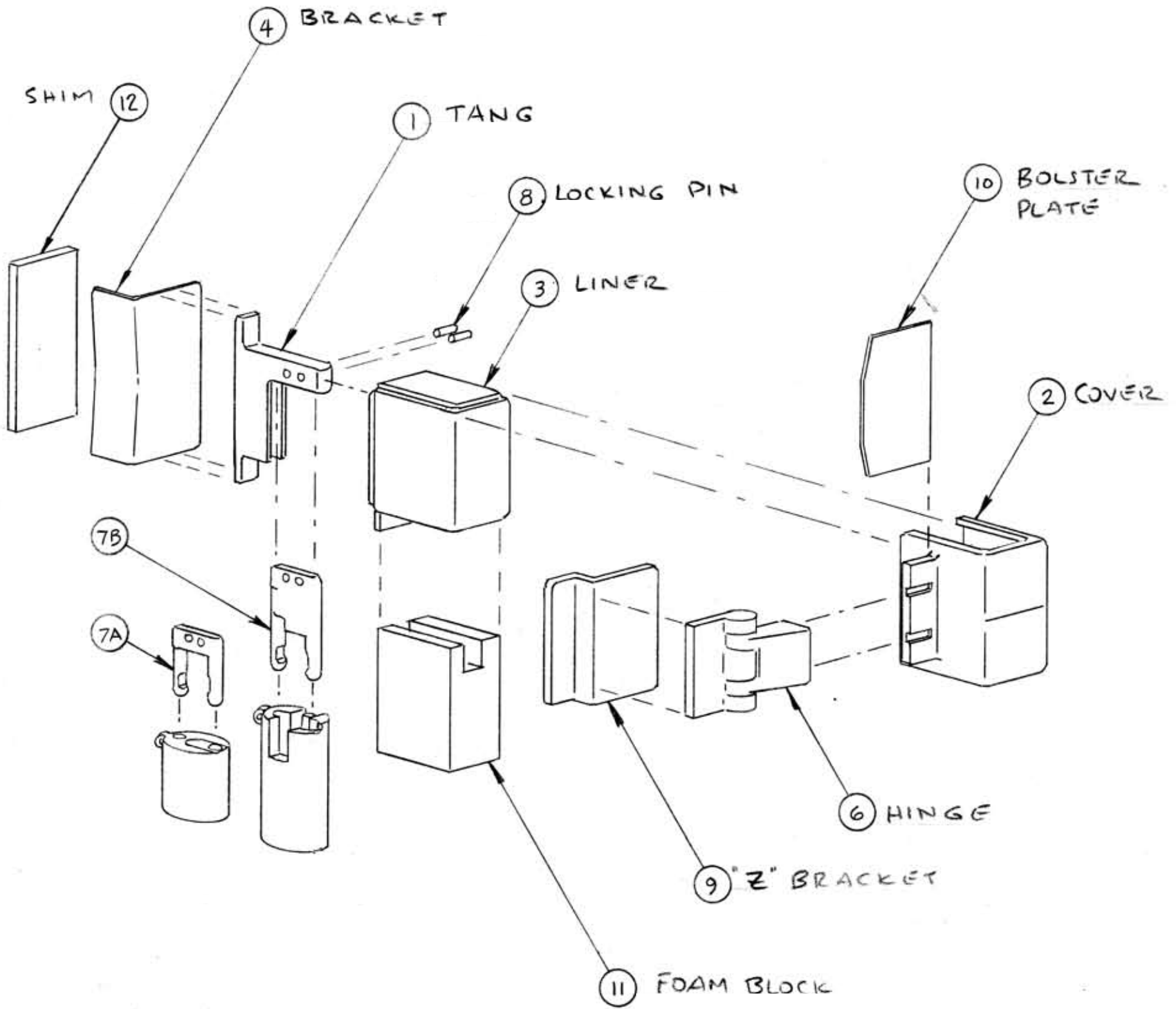
REV.

B

**HMS MARINE HARDWARE, INC.**

TEL: 516-546-1300 FAX: 516-623-9155  
WWW.HMS-MARINE-HARDWARE.COM





**NOTES:**

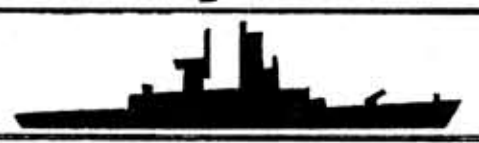
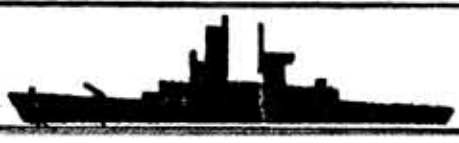
- 1) MATERIAL: TYPE 304 L STAINLESS  
INVESTMENT CAST I.A.W. MIL C-602 IE CL-2B
- 2) ALL STYLES INCLUDE:  
PC# 1, 2, 3, 7A, 7B, 8(2), 11, INSTALLATION INSTRUCTIONS
- 3) STYLE 1, ADD PC 10, 12  
STYLE 3, ADD PC 4, 10  
STYLE 4, ADD PC 10, 12  
STYLE 5, ADD PC 6, 9, 10  
STYLE 6, ADD PC 6, 10, 12
- 4) WELDING ROD: 5.5 TYPE E, CL 1, 310-16, 3/32" DIA.

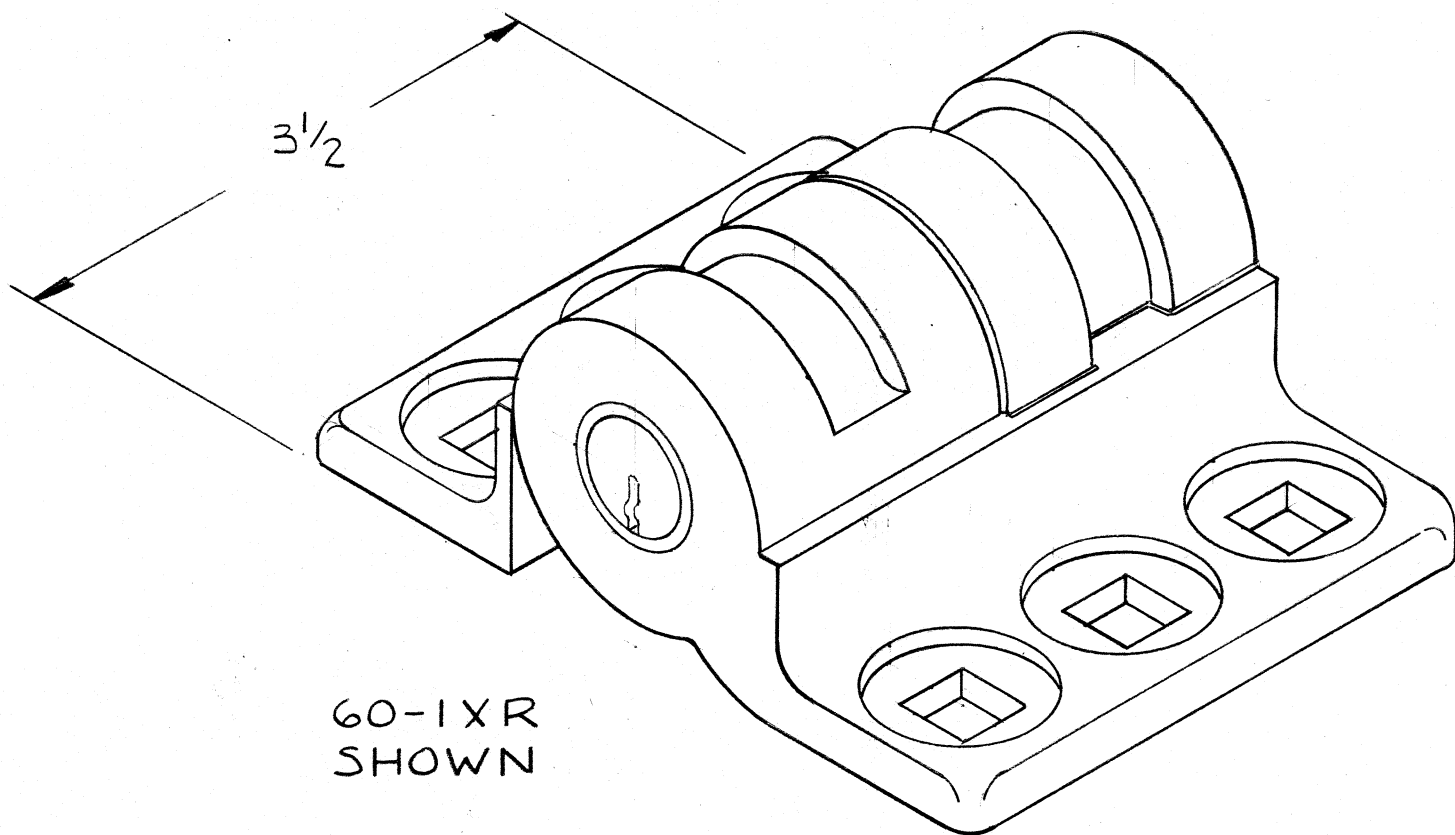
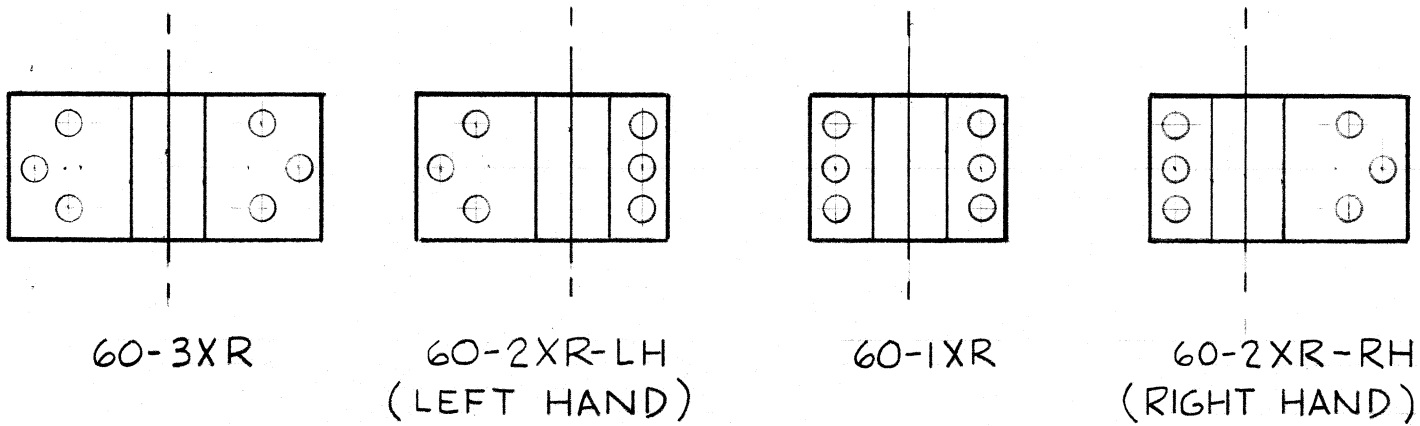
SPECIFICATION: NAVSEA 53711-5532337  
 EXAMPLE PART NO: HMS-15-113-1300/3A = HIGH SECURITY HASP ASS'Y, NAPEC/ STYLE 3

<b>PRODUCT</b> HASP, HIGH SECURITY- NAPEC 1300 MOD 1 SERIES	<b>HMS PART NO.</b> HMS-15-113-1300	<b>REV.</b> C
--	--	------------------

# HMS MARINE HARDWARE, INC.

TEL: 516-546-1300 FAX: 516-623-9155  
 WWW.HMS-MARINE-HARDWARE.COM





NOTE :

- 1) SPECIFICATION - MIL - L - 29151
- 2) MATERIAL - ILLIUM STAINLESS STEEL
- 3) CYLINDERS - MEDECO®
- 4) 60- XR SERIES, MILITARY ONLY,  
50- SERIES, COMMERCIAL APPLICATIONS.
- 5) DIFFERENT KEYING OPTIONS AVAILABLE.

EXAMPLE PART NUMBER

HMS-15-120-60-2XR-LH

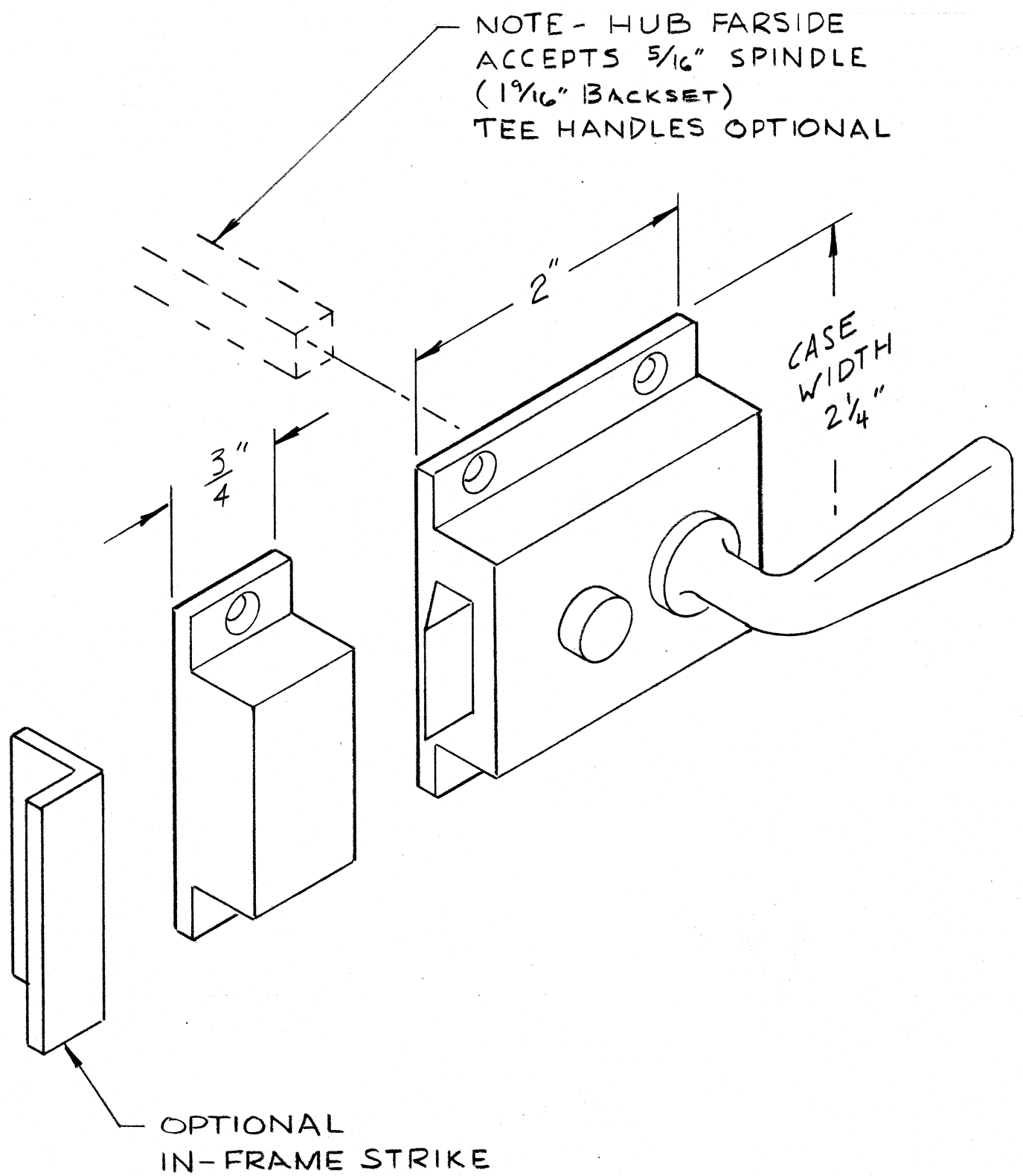
<b>PRODUCT</b> "TUFLOC®" HIGH SECURITY HINGED PADLOCK	<b>HMS PART NO.</b> HMS-15-120-__	<b>REV.</b> A
--	--------------------------------------	------------------

**HMS MARINE HARDWARE, INC.**

TEL: 516-546-1300    FAX: 516-623-9155  
 WWW.HMS-MARINE-HARDWARE.COM







MATERIAL: BRONZE

FINISH: STD-BRONZE US10

OPT.- SATIN NICKEL (US 15)  
(OTHERS AVAILABLE)

SPECIFICATIONS: FF-H-III, TYPE 1089

MADE IN U.S.A.

PRODUCT

LATCHSET, LEVER

HMS PART NO.

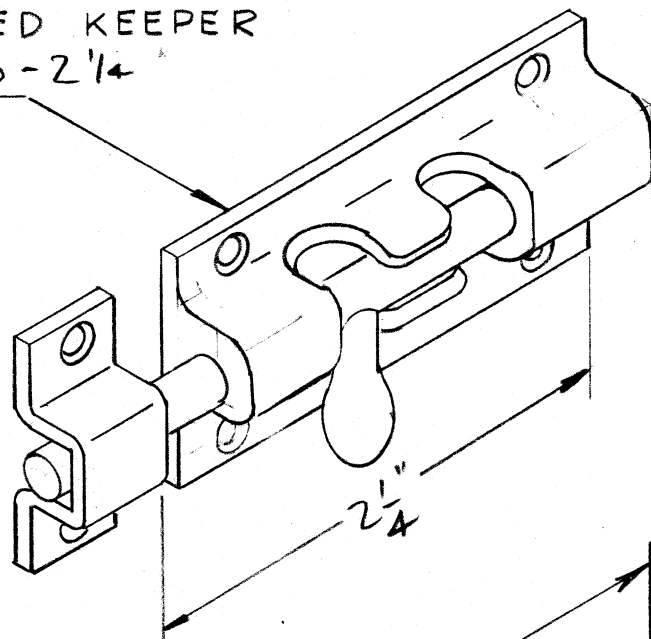
HMS-20-101

REV.

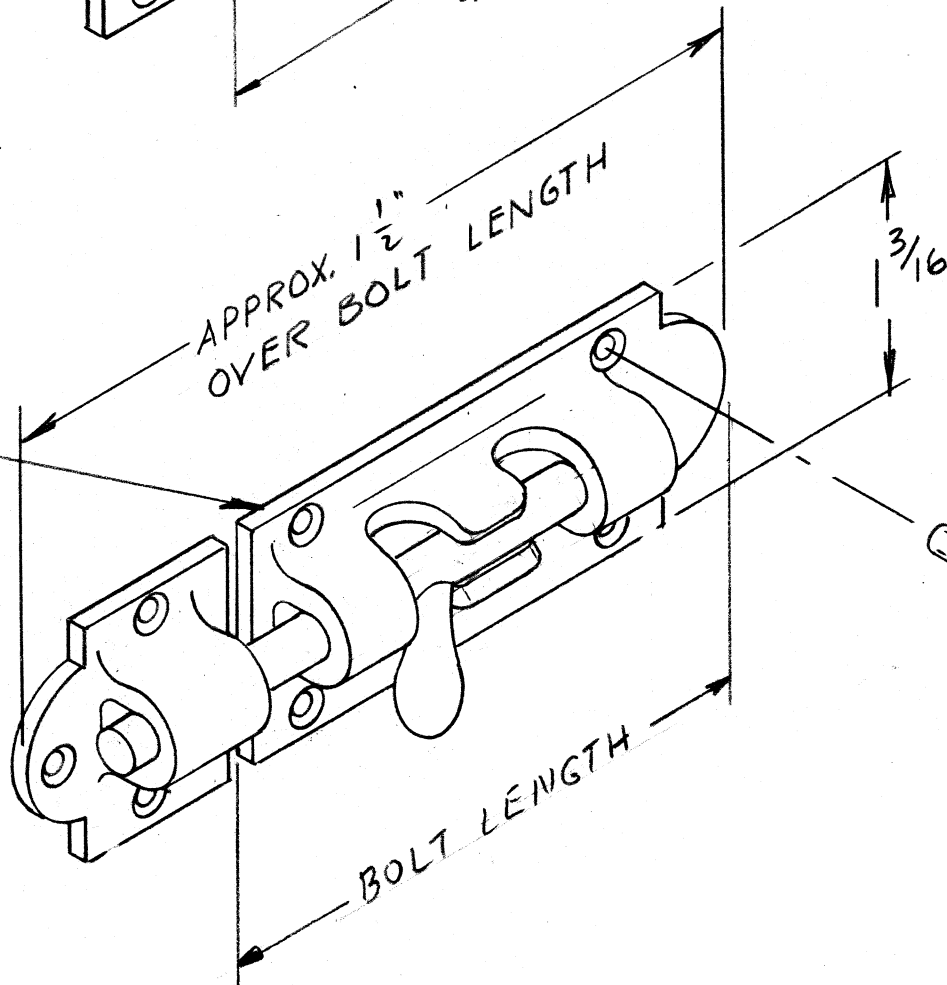
**HMS MARINE HARDWARE, INC.**

TEL: 516-546-1300 FAX: 516-623-9155  
WWW.HMS-MARINE-HARDWARE.COM

WITH MODIFIED KEEPER  
HMS-20-103-2 1/4



HMS-20-102



#6-32 x 1/2" L'G  
FHMS

DASH NO	BOLT LENGTH
-3	3 INCH
-4	4 INCH
-5	5 INCH

NOTES

- 1) MATERIAL- BRONZE
- 2) FINISH- SATIN NICKEL (US 15)

EQUAL TO : GETTY # 3022

MADE IN U.S.A.

PRODUCT

BOLT, BARREL

HMS PART NO.

HMS-20-102/103

REV.

C

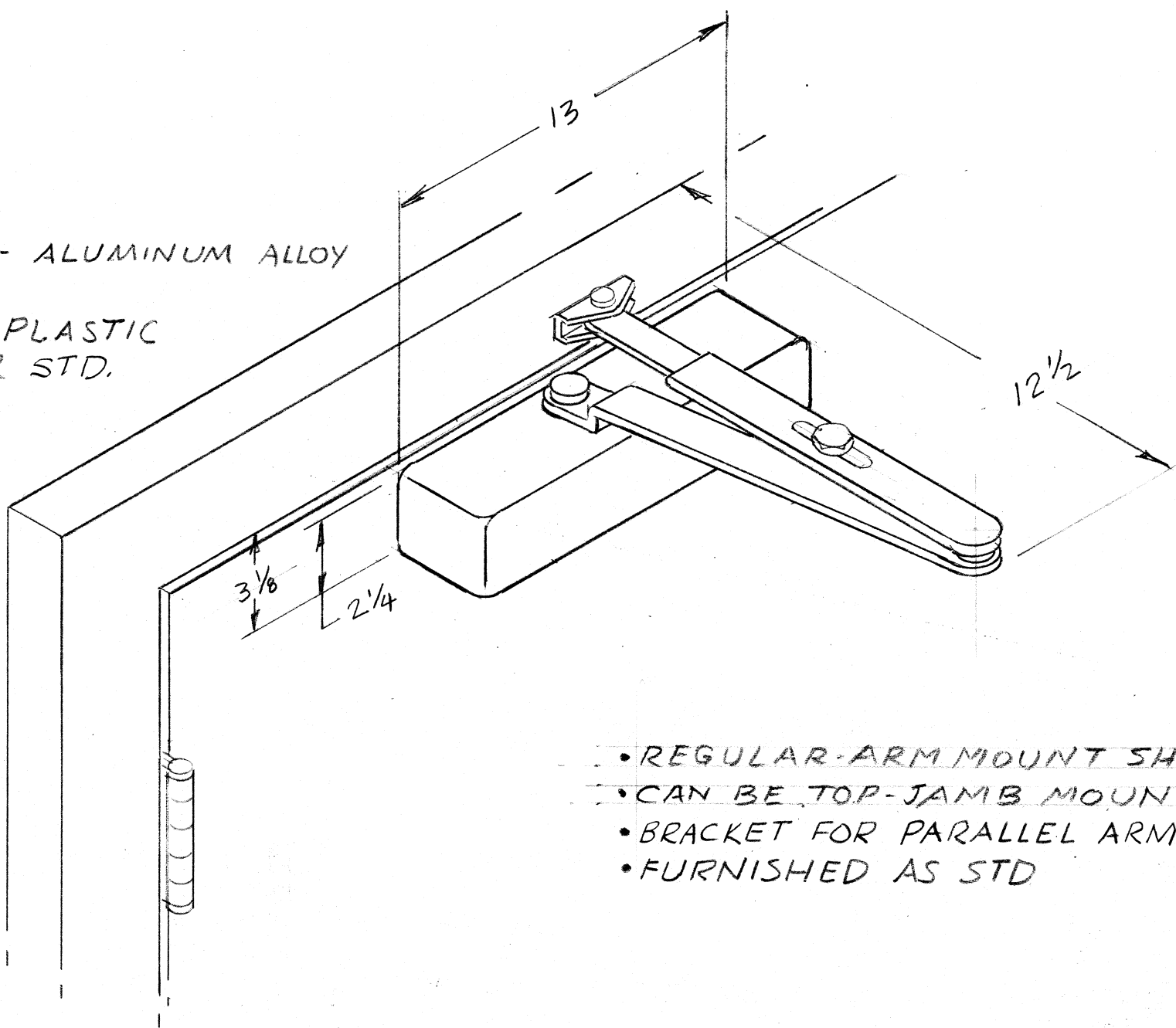
**HMS MARINE HARDWARE, INC.**

TEL: 516-546-1300 FAX: 516-623-9155  
WWW.HMS-MARINE-HARDWARE.COM



- BODY - ALUMINUM ALLOY

- SLIM PLASTIC  
COVER STD.



- REGULAR-ARM MOUNT SHOWN
- CAN BE TOP-JAMB MOUNTED
- BRACKET FOR PARALLEL ARM ALSO
- FURNISHED AS STD

### STANDARD

SIZE 1-6, FIELD ADJUSTABLE SIZE  
NON-HANDED  
180° OPENING RANGE  
ADJUSTABLE BACKCHECK  
FOR INTERIOR OR EXTERIOR DOORS  
AVAILABLE WITH HOLD-OPEN OPTION

### CERTIFICATIONS

ANSI A156.4 GRADE 1,  
ANSI A117.1 / ADA,  
FF-H-121 TYPE 3001,  
U.L. AND U.L.C. LISTED.

PRODUCT

CLOSER, M.J. DOOR

SERIES 8600  
SHIP-SERVICE

HMS PART NO.

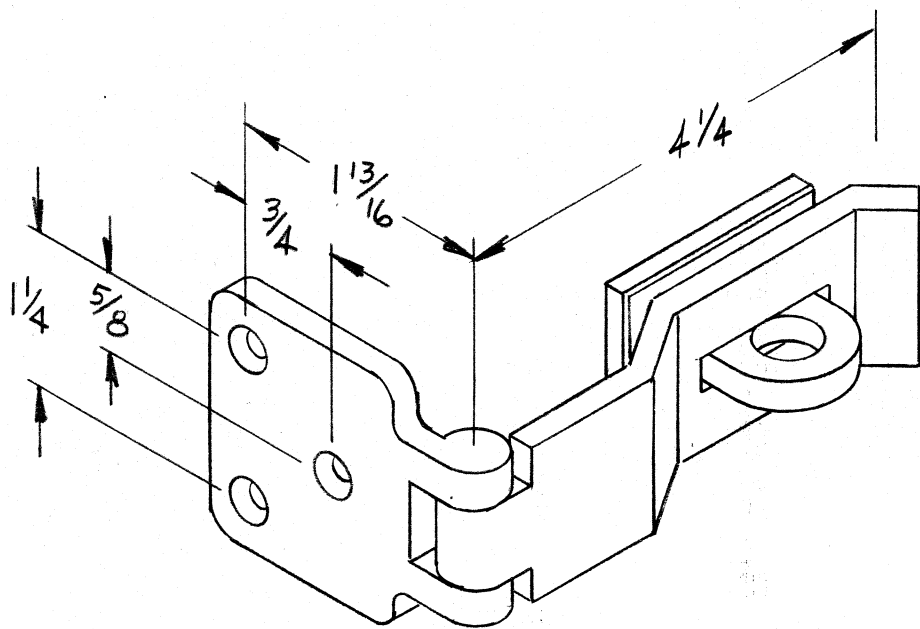
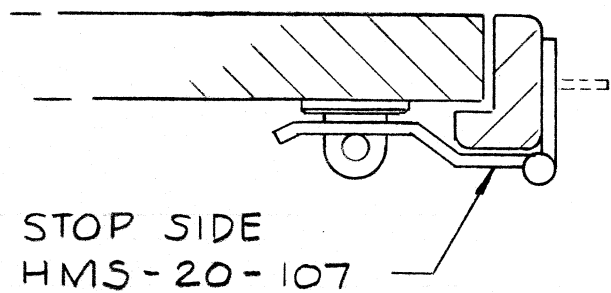
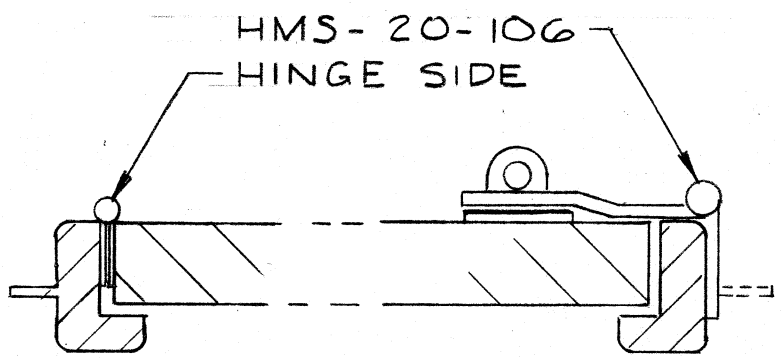
20-104

REV.

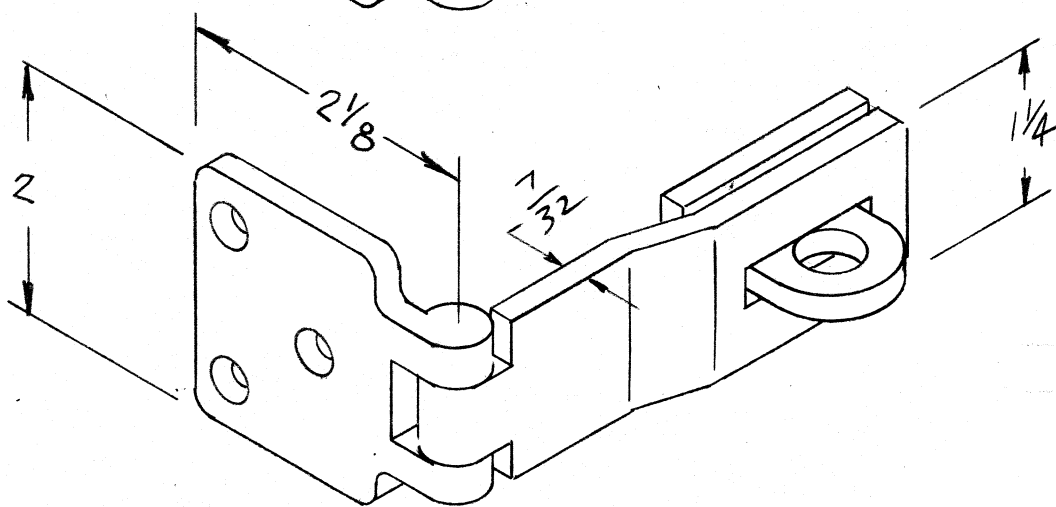
D

**HMS MARINE HARDWARE, INC.**

TEL: 516-546-1300 FAX: 516-623-9155  
WWW.HMS-MARINE-HARDWARE.COM



STOP SIDE MNT'G  
HMS-20-107



HINGE SIDE MNT'G  
HMS-20-106

NOTES

MATERIAL- BRASS

SPECIFICATION-

DWG 805-4629248

EQUAL TO

GETTY 2915 A , 2915 B

EXAMPLE PART NO.

HMS-20-106-15

TABLE I

DASH	FINISH
-15	US 15 SATIN NICKEL
-26D	US 26D SATIN CHROME

PRODUCT

HASP & STAPLE, HINGE SIDE / STOP SIDE

HMS PART NO.

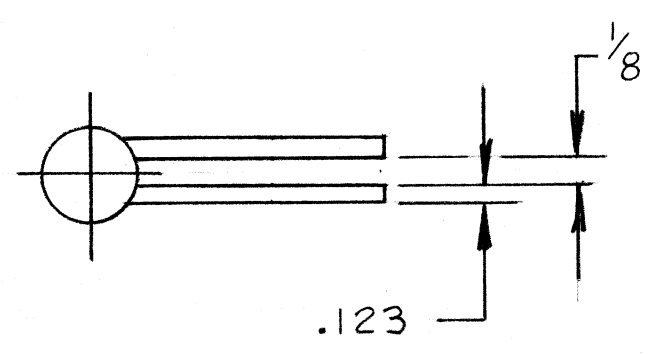
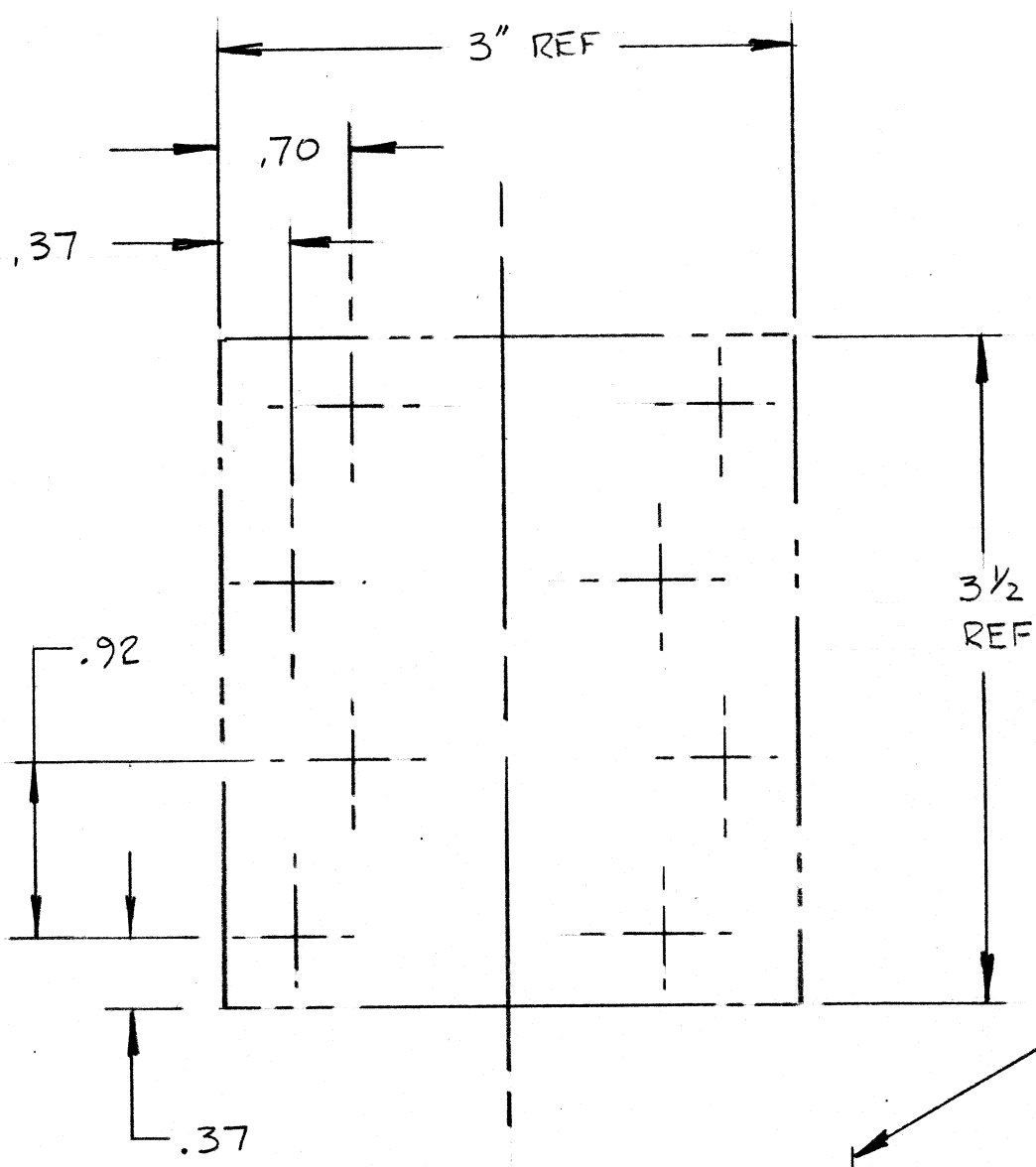
HMS-20-106, -107

REV.

C

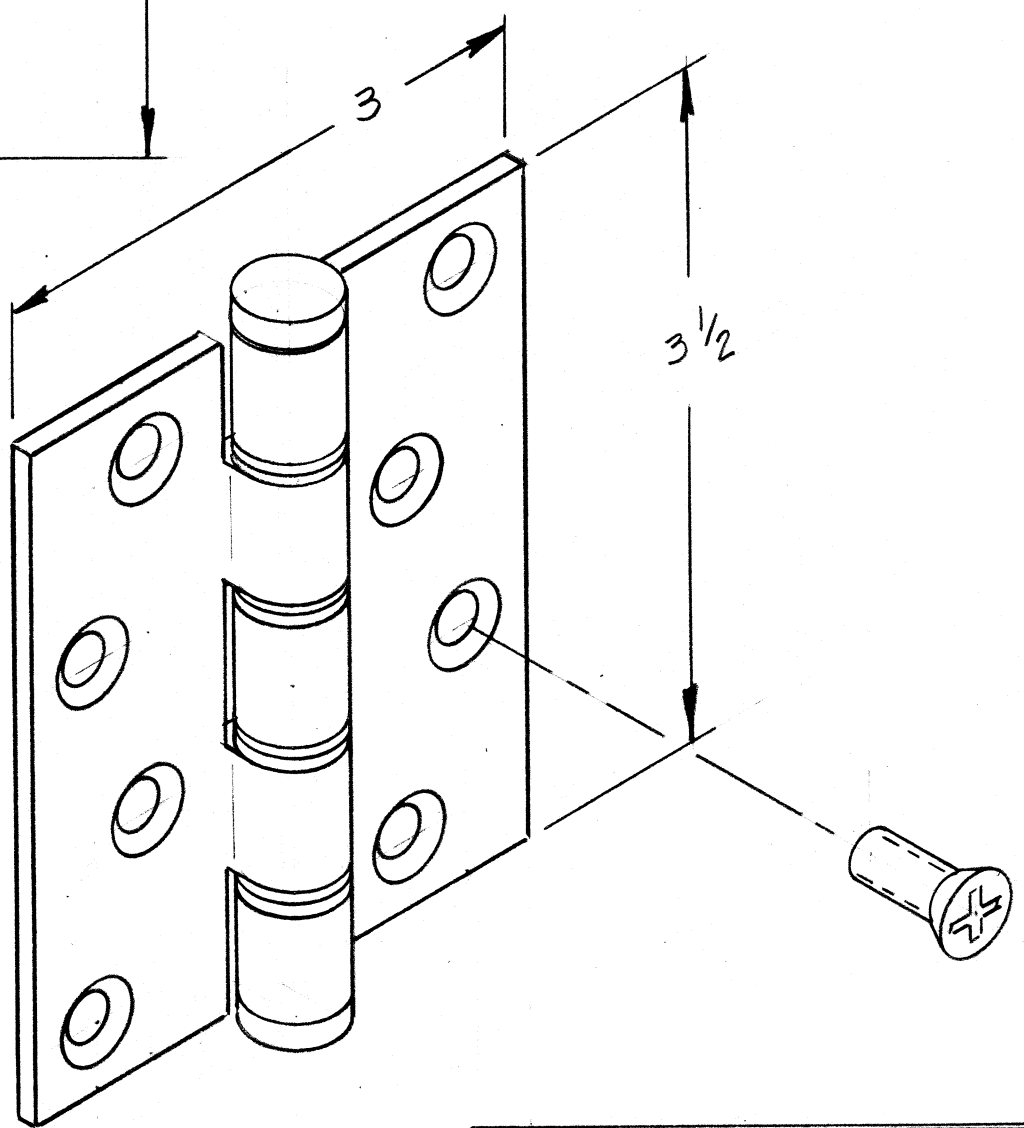
**HMS MARINE HARDWARE, INC.**

TEL: 516-546-1300 FAX: 516-623-9155  
WWW.HMS-MARINE-HARDWARE.COM



TYPE - SWAGED

STD NAVY PATTERN



**MATERIALS**  
 LEAF - BRASS .123 THK  
 PIN - CRES  
 BUSHING - NYLON

**FINISH**  
 US 15 SATIN NICKEL (USN)  
 US 26 D DULL CHROME (OPT.)

**SPECIFICATIONS**  
 MIL-H-1237, TY II,  
 CL I  
 ST B

NAVSEA 805-4629248 Pc. 3

EXAMPLE PART No.  
 HMS-20-108-10-S

DASH	SCREW SIZE
-10	#10-24 FHMS
-12	12-24 FHMS

DASH	PIN TYPE
S	STANDARD
F	FIXED
P	PIN ONLY

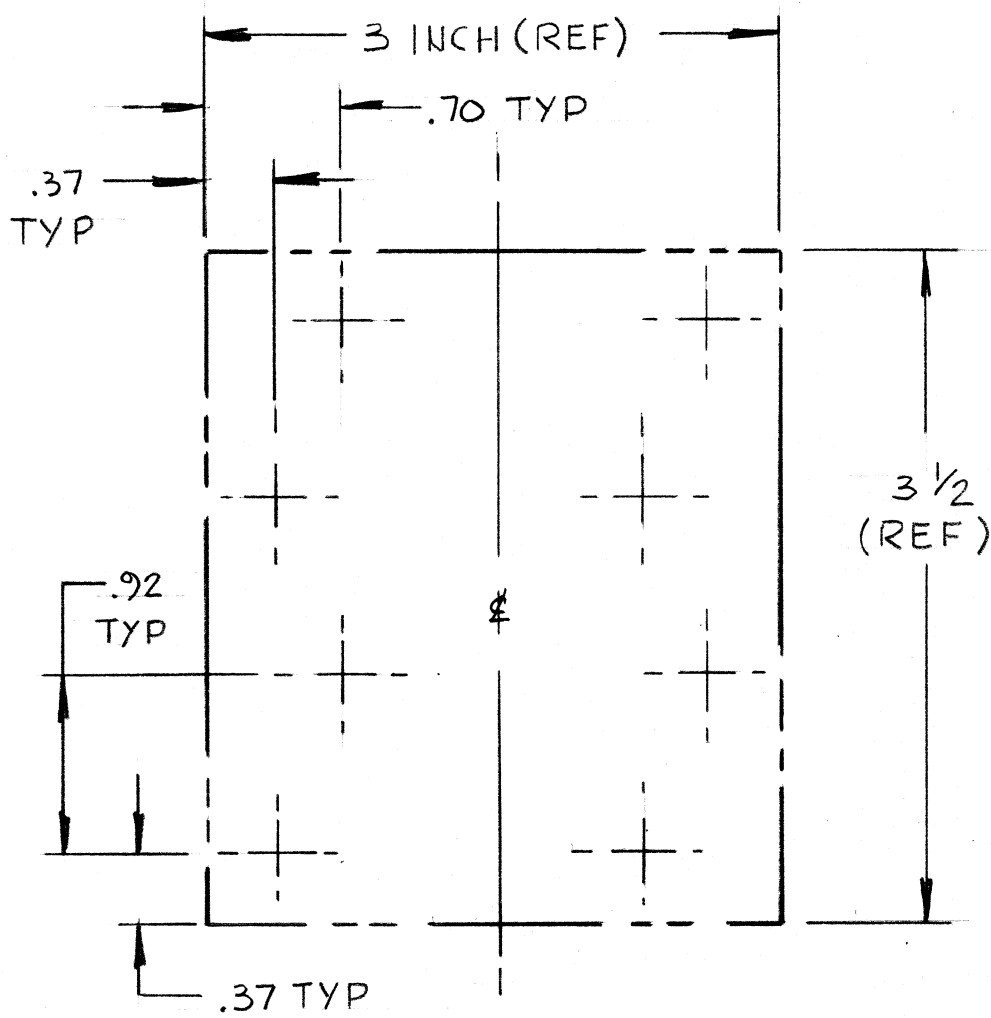
MADE IN U.S.A.

<b>PRODUCT</b> HINGE - JOINER DOOR 3 1/2 x 3	<b>HMS PART NO.</b> HMS-20-108-__-__	<b>REV.</b> A
---	---	------------------

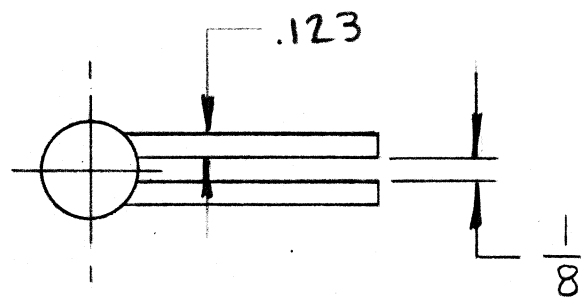
**HMS MARINE HARDWARE, INC.**

TEL: 516-546-1300 FAX: 516-623-9155  
 WWW.HMS-MARINE-HARDWARE.COM





STD. NAVY PATTERN



TYPE-SWAGED

MATERIALS:

BODY } STAINLESS  
 PIN } STEEL  
 BUSHING - NYLON

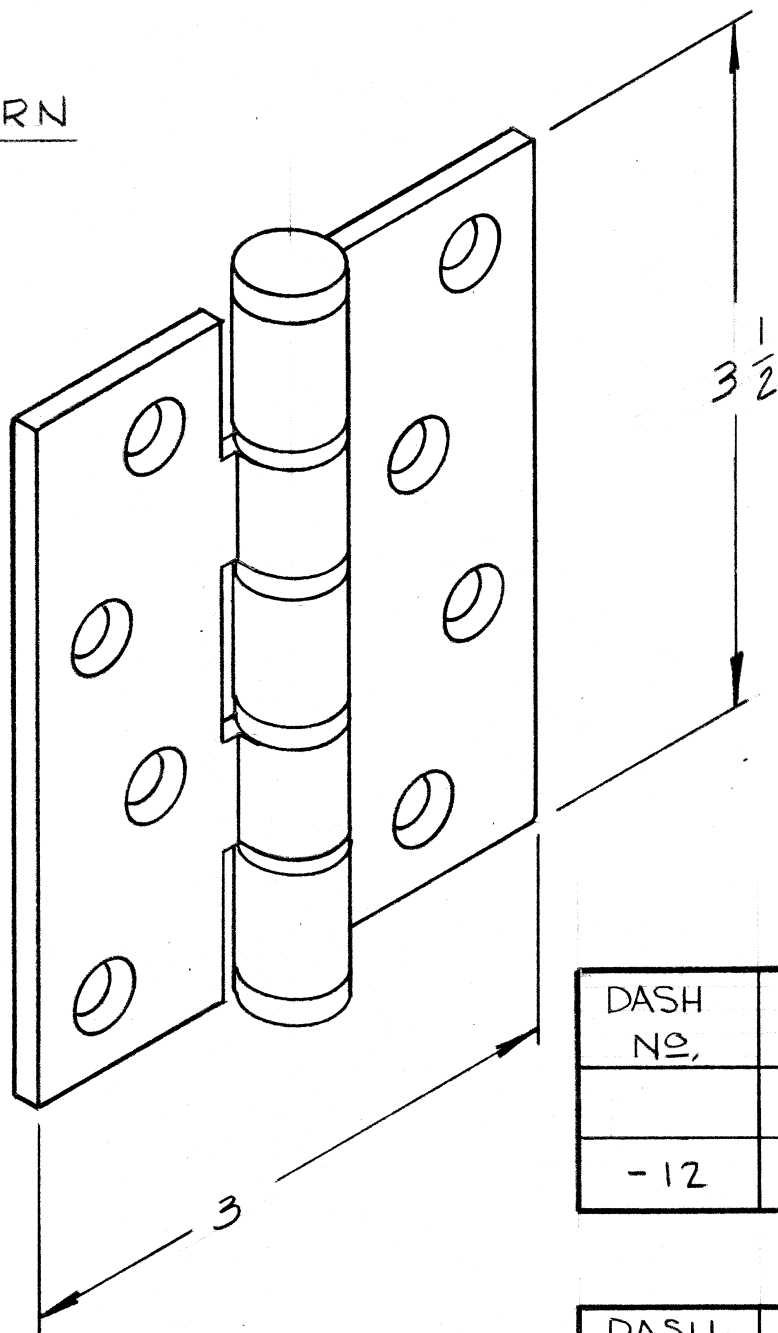
FINISH: US32

SPECIFICATION:

MIL-H-1237-TY II, CL I  
 STYLE B, (MODIFIED\*)

REF NAVSEA 805-4629248

\* MATERIAL



MADE IN U.S.A.

DASH NO.	SCREW SIZE
-12	12-24 FHMS

DASH NO.	PIN TYPE
-S	STANDARD PIN
-F	FIXED PIN
-P	PIN ONLY (SPARES)

EXAMPLE PART NO  
 HMS-20-109-12-5

PRODUCT

HINGE-JOINER DOOR 3 1/2 x 3

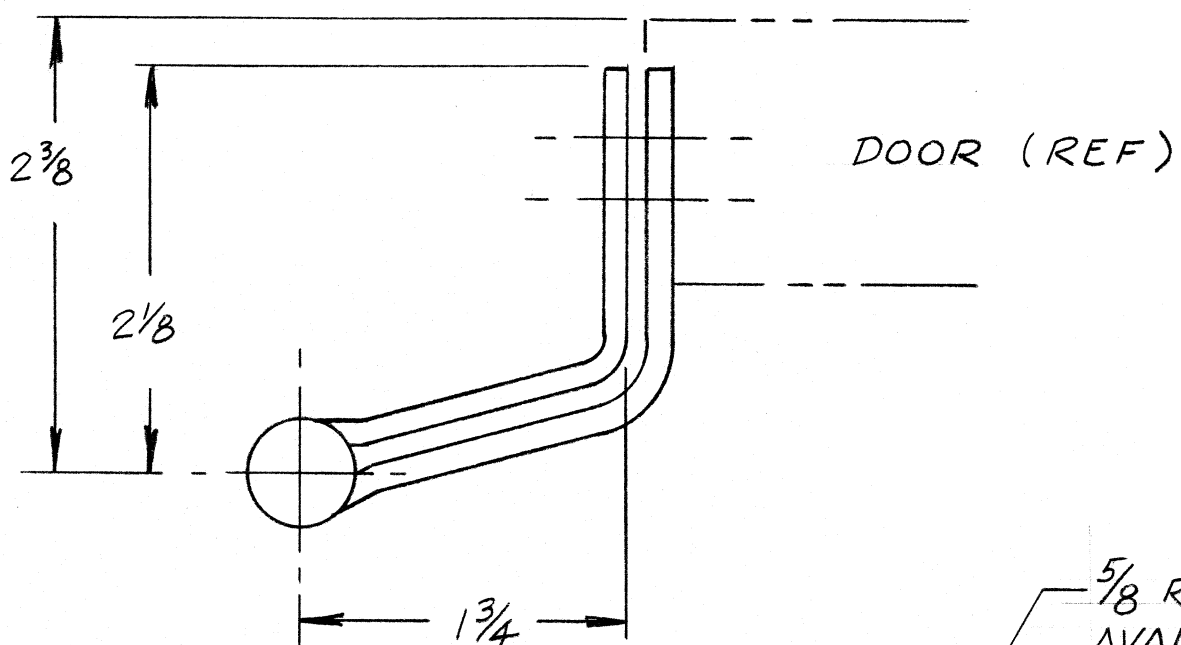
HMS PART NO.

HMS-20-109-\_\_-\_\_

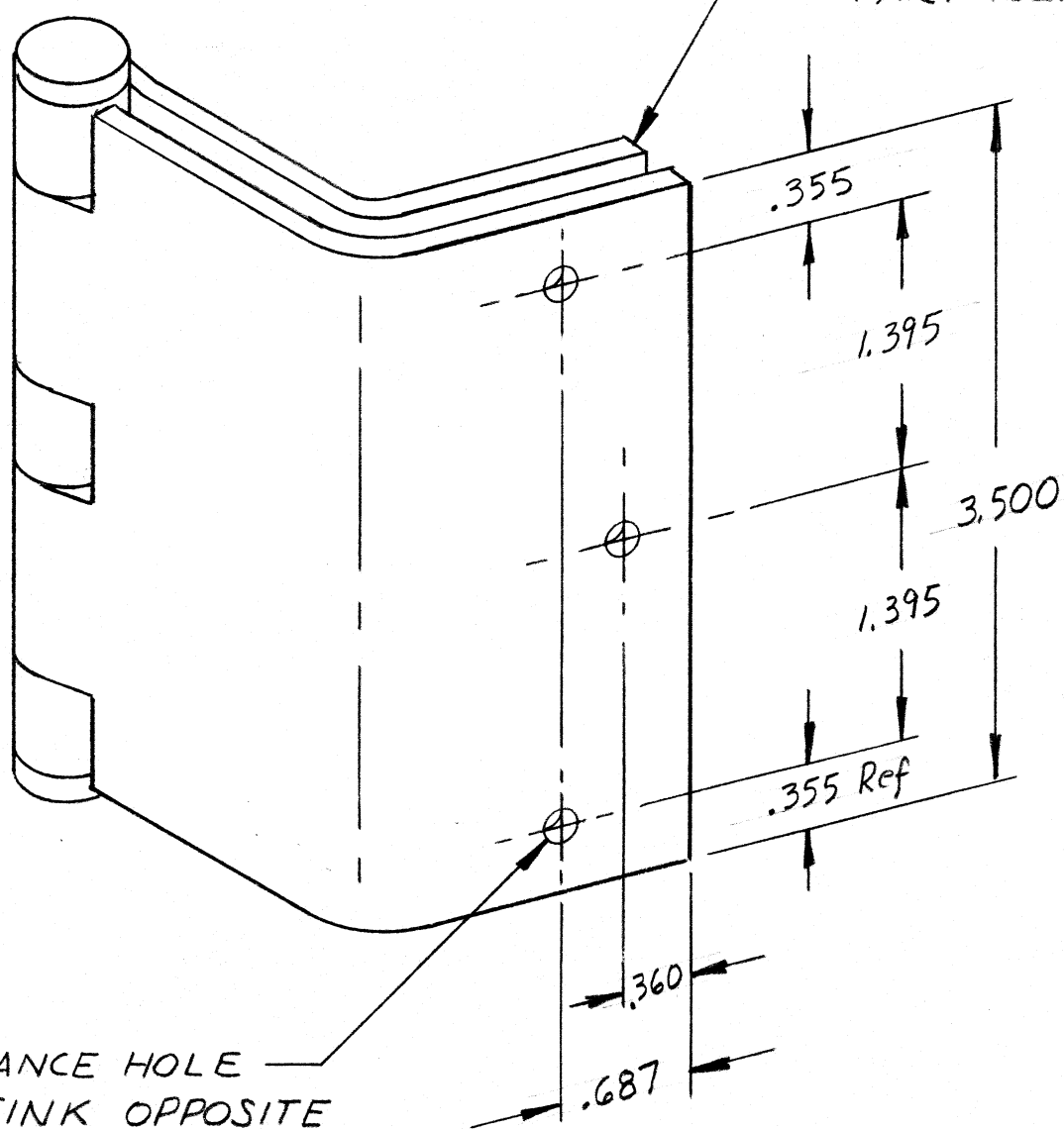
REV.

A

**HMS MARINE HARDWARE, INC.**



5/8 RADIUS COR.  
AVAILABLE.  
ADD -R TO  
PART NO.



NOTES

MATERIAL - STEEL, LEAVES .123 THK.

FINISH: -1 P/N SATIN CHROME US26D  
-2 P/N BONDERIZED AND PRIME PAINT

SWING - 1 3/8 THK DOOR WILL CLEAR OPENING AT 95° SWING.

ALSO AVAILABLE IN A-HOLE PATTERN

EXAMPLE PART NO.

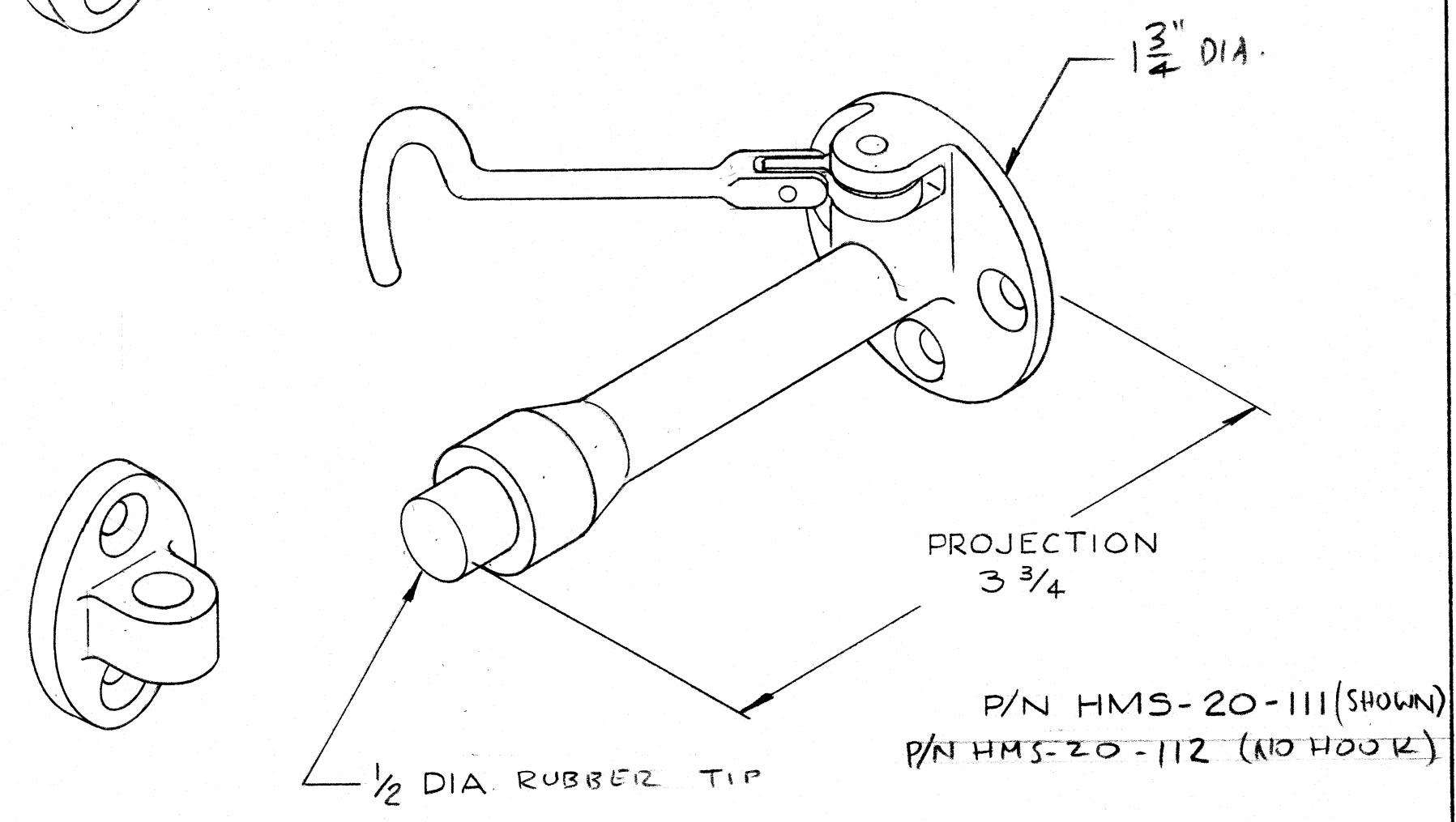
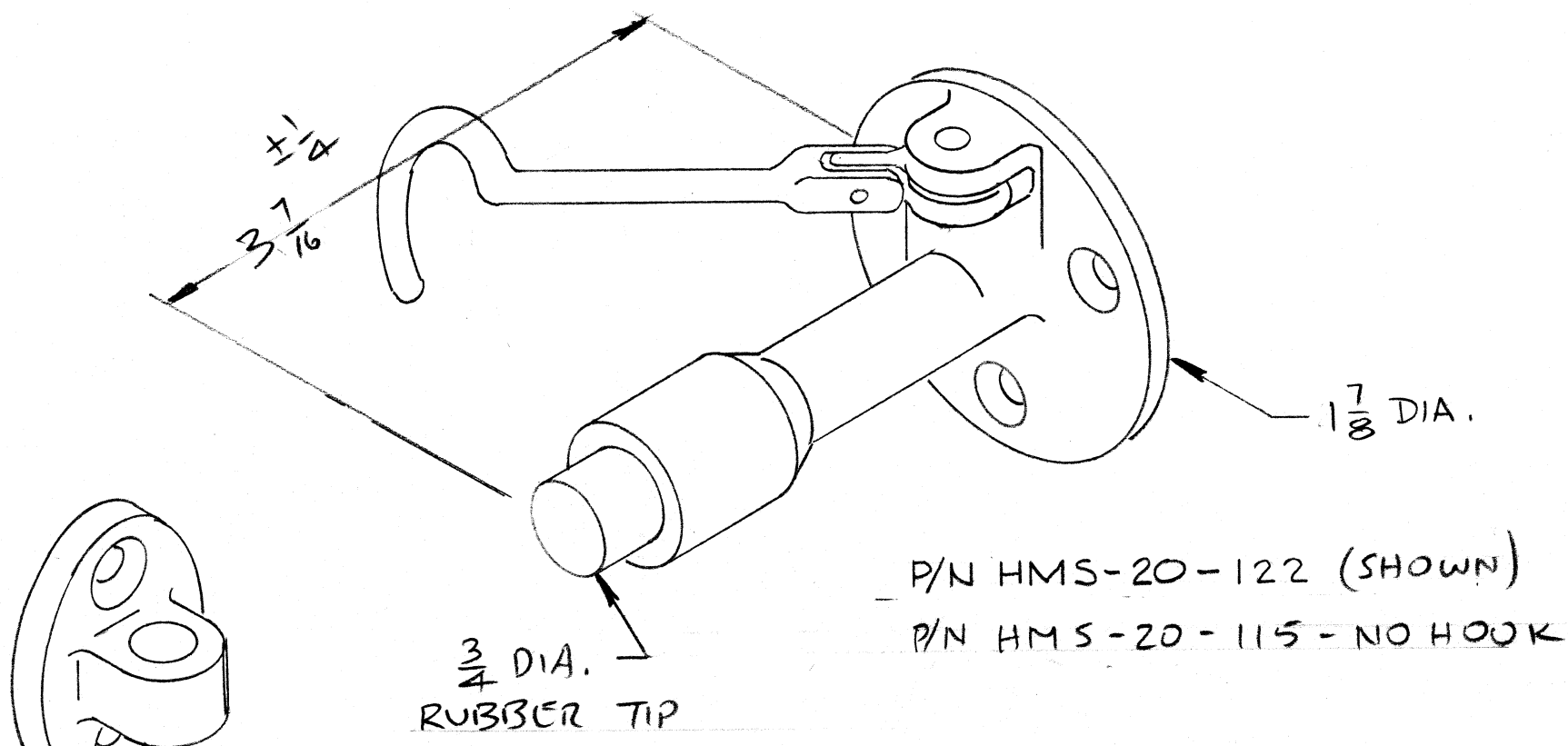
EXAMPLE PART NO HMS-20-110-1

<b>PRODUCT</b> HINGE - JOINER DOOR (FIREZONE)	<b>HMS PART NO.</b> HMS-20-110-__	<b>REV.</b> C
--	--------------------------------------	------------------

**HMS MARINE HARDWARE, INC.**

TEL: 516-546-1300 FAX: 516-623-9155  
WWW.HMS-MARINE-HARDWARE.COM





MATERIAL: BRASS

FINISH: SEE TABLE

SPECIFICATION: NAVSHIP DWG.  
S3200-860055 PC60 (-111)

MOUNTING SCREWS #8 FHMS (NOT INCLUDED)

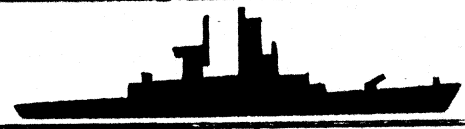
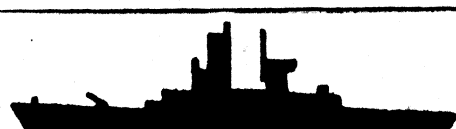
DASH No.	FINISH
-3	US3 Polished Brass
-15	US15 Satin Nickel
-26	US26 Polished Chrome
-26D	US26D Satin Chrome

MADE IN U.S.A.

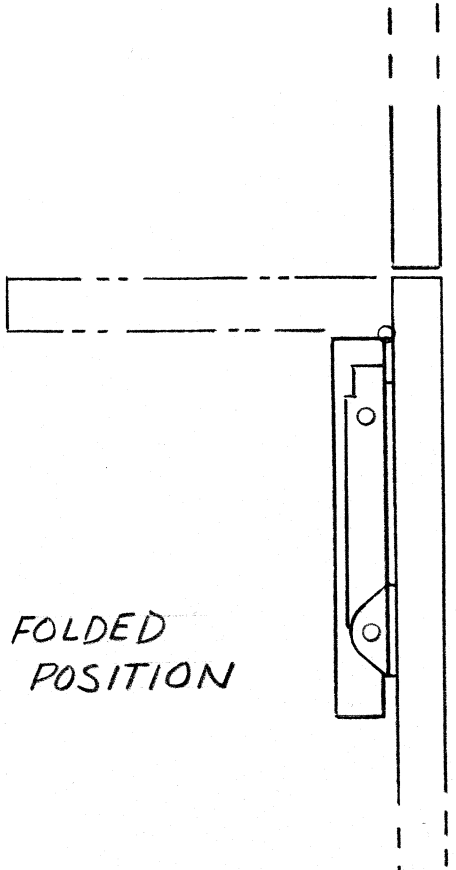
PRODUCT	HMS PART NO.	REV.
DOOR STOP & HOLDER	HMS-20-111 & -122	C

**HMS MARINE HARDWARE, INC.**

TEL: 516-546-1300 FAX: 516-623-9155  
WWW.HMS-MARINE-HARDWARE.COM





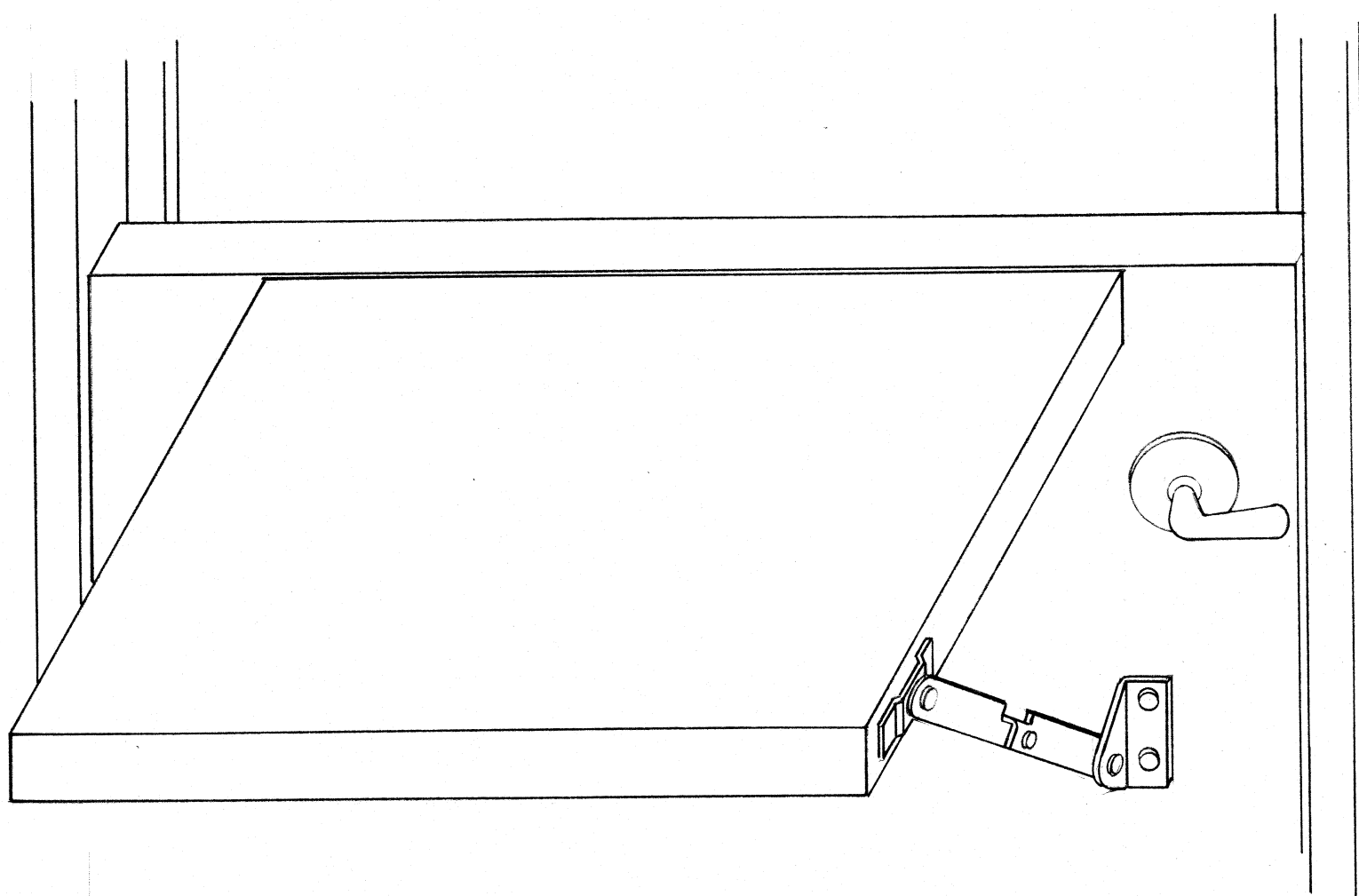


SHELF FOLDED  
DOWN POSITION



SHELF RAISED  
AND LOCKED

JOINER  
DOOR (REF)



NOTES

- 1) SUPPORT MATERIAL - TYPE 304 STAINLESS STEEL
- 2) FINISH - US32D
- 3) SPECIFICATION : NAVSEA 804-4629248  
805-5959320

REF GETTY P/N 6252

PRODUCT

SUPPORT - FOLDING

[ SHELF  
SUPPORT ]

HMS PART NO.

HMS-20-114-AY

REV.

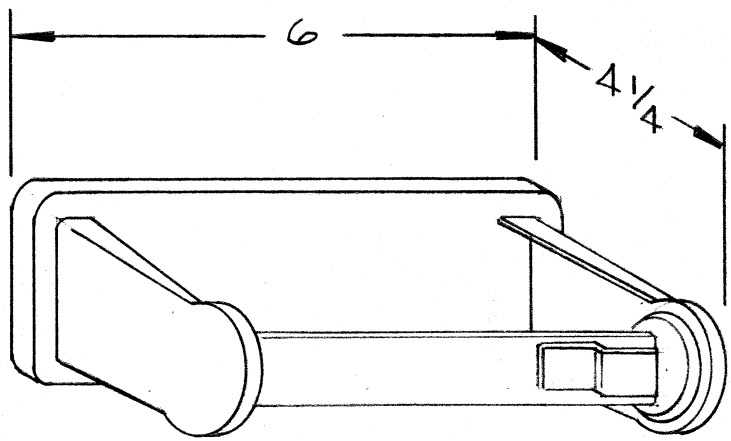
A

**HMS MARINE HARDWARE, INC.**

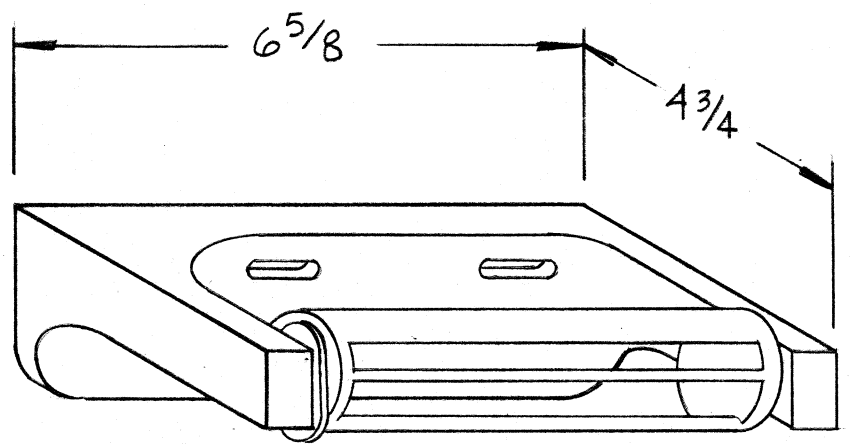


TEL: 516-546-1300 FAX: 516-623-9155  
WWW.HMS-MARINE-HARDWARE.COM



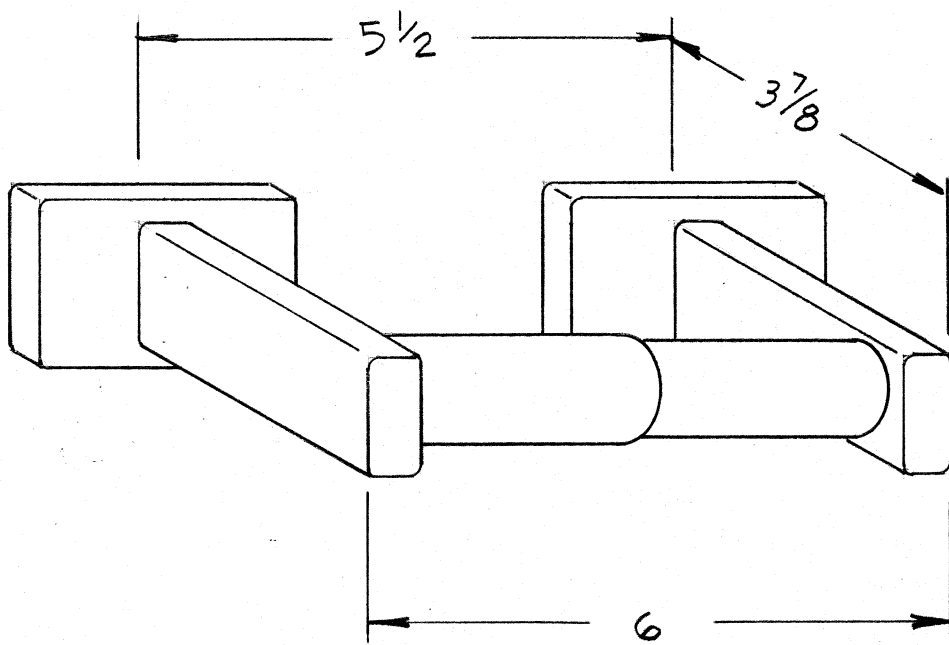


FEED CONTROLLED  
 STEEL / CHROME PLATE  
 WW-H-1911 TY II  
 HMS-30-123



AVAILABLE WITH  
 RESTRICTED OR FREE SPIN  
 PAPER FEED.

CAST ALUMINUM BRACKET  
 WW-P-541 TY 437  
 HMS-30-124



STAINLESS STEEL  
 WW-P-541 TY 433  
 HMS-30-125

HOLDER, TOILET PAPER  
 DOUBLE ROLL

CAST ALUMINUM  
 WW-P-541  
 TYPE I, CLASS I  
 MOUNTING-S, STYLE B  
 KIND A OR B, STYLE D  
 HMS-30-122

STAINLESS STEEL  
 TYPE I, CLASS I  
 MOUNTING-S, STYLE A  
 KIND A OR B  
 HMS-30-126

SH 1

PRODUCT  
 DISPENSERS - TOILET PAPER

HMS PART NO.  
 HMS-30-SERIES

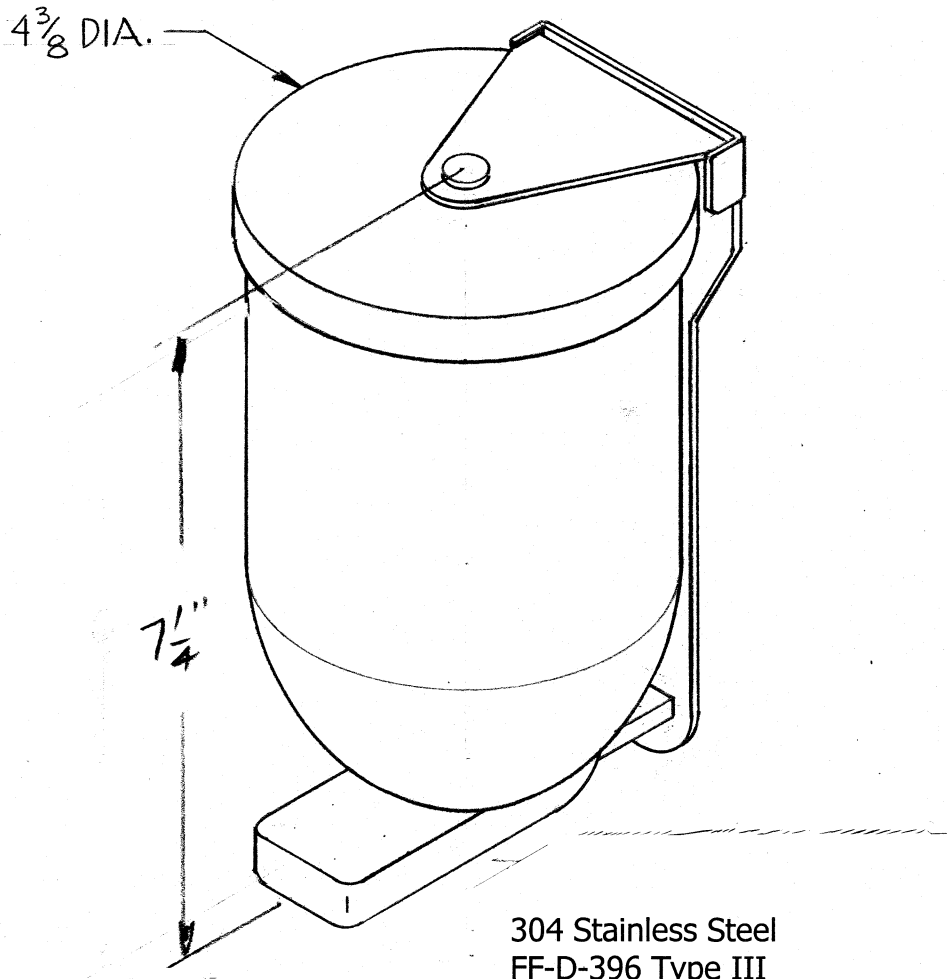
REV.  
 B

**HMS MARINE HARDWARE, INC.**

TEL: 516-546-1300 FAX: 516-623-9155  
 WWW.HMS-MARINE-HARDWARE.COM



SOAP DISPENSER  
(POWDER)

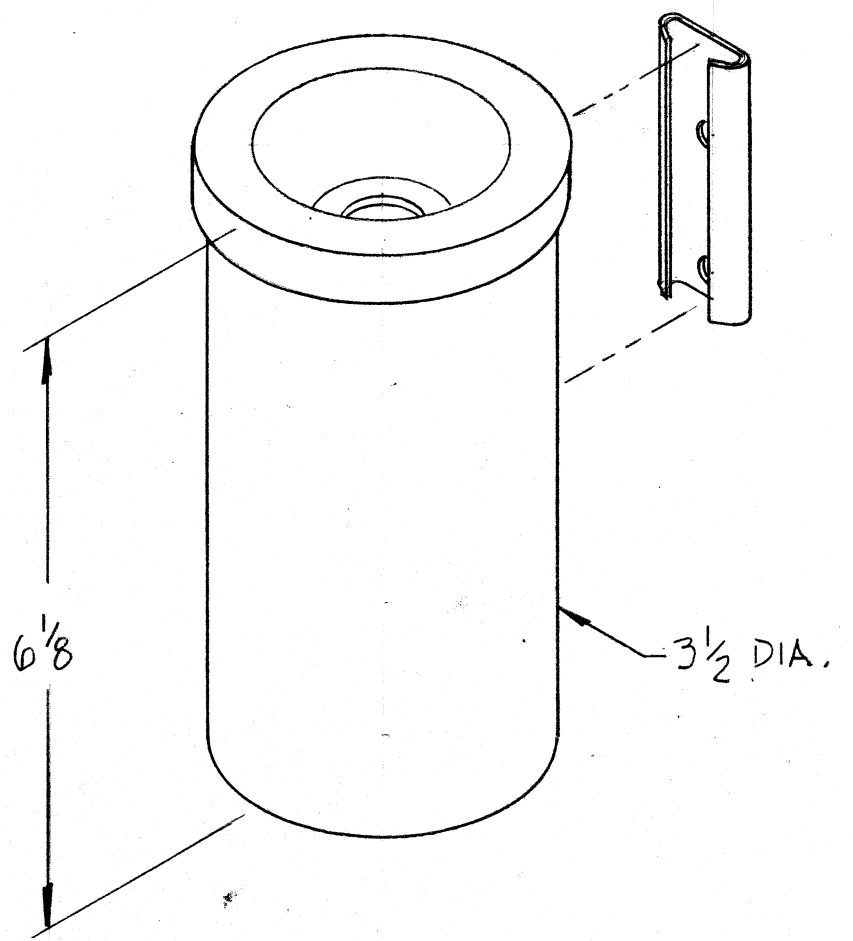


304 Stainless Steel  
FF-D-396 Type III

HMS-30-131

Note: For Grade "B" Shock Version  
(30-131-MOD) Consult Factory

ASH RECEIVER



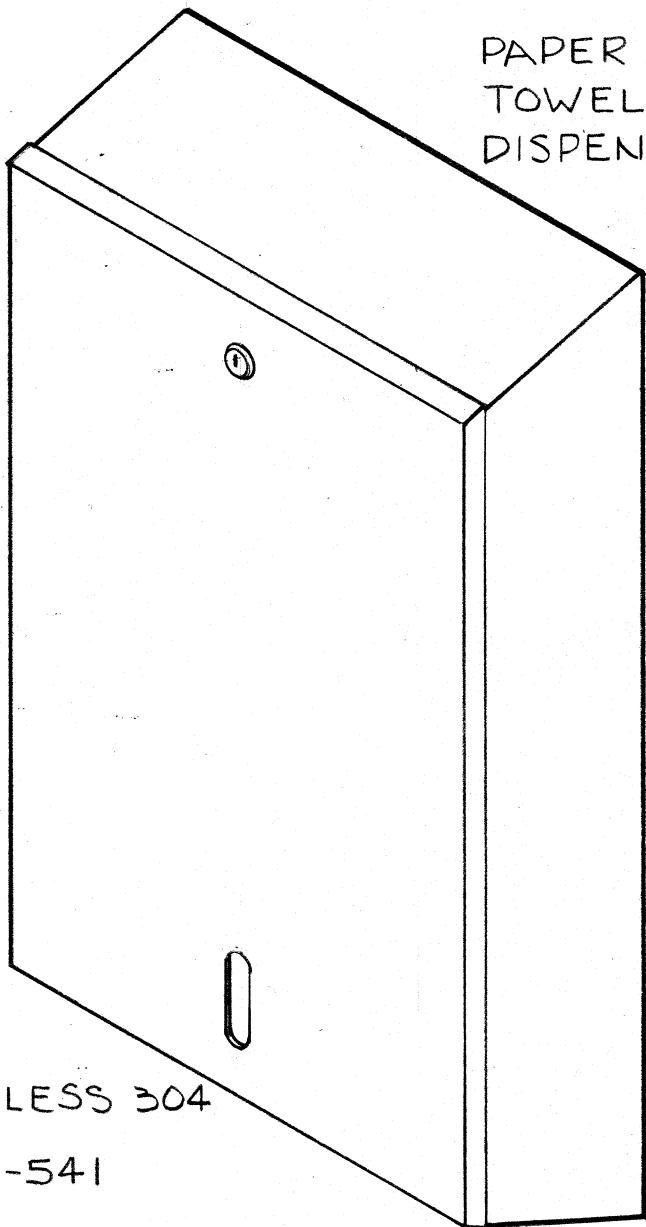
STAINLESS STEEL

805-1635298 TY II

HMS-30-127

SIZE -  
14" H.  
11" W.  
4" D.

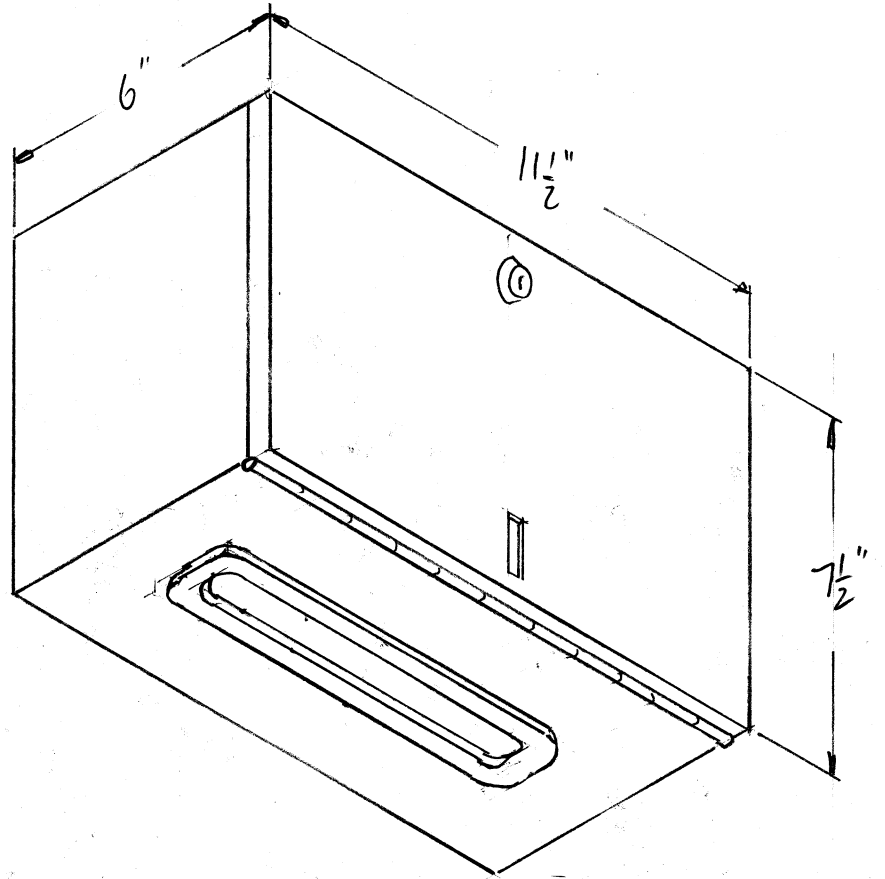
PAPER  
TOWEL  
DISPENSER



STAINLESS 304

WW-P-541

HMS-30-135



304 Stainless Steel  
WW-P-541/8

HMS-30-136

Note: For Grade "B" Shock Version  
(30-136-MOD) Consult Factory

PRODUCT  
WASHROOM ACCESSORIES

HMS PART NO.  
HMS-30-SERIES  
SHEET 2

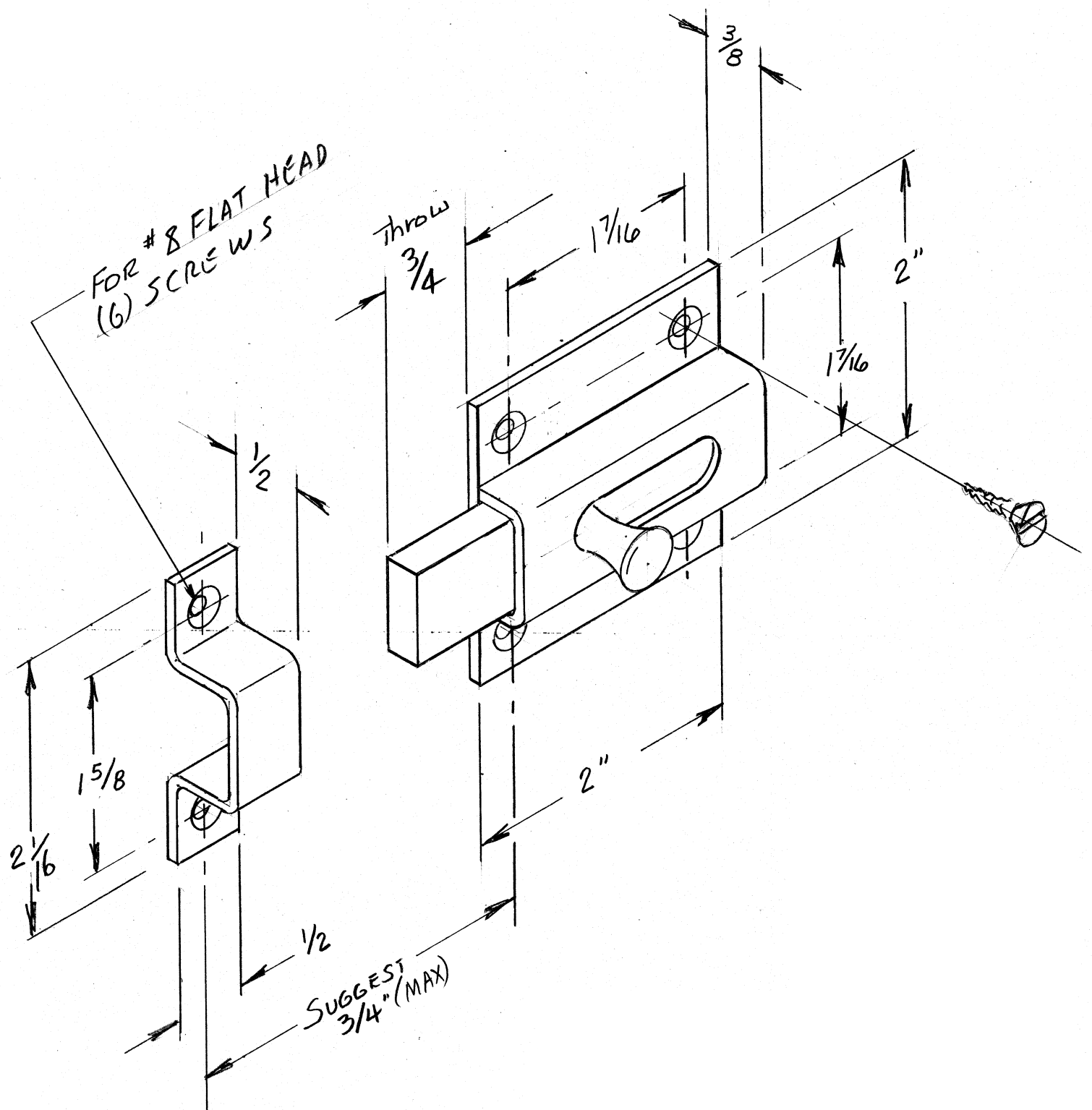
REV.

C

**HMS MARINE HARDWARE, INC.**

TEL: 516-546-1300 FAX: 516-623-9155  
WWW.HMS-MARINE-HARDWARE.COM





MATERIAL: BRASS

FINISH: SATIN CHROME STD.

OPT.: BRIGHT CHROME/BRASS

PRODUCT

RIM BOLT & KEEPER, TYPE 15004

HMS PART NO.

HMS-30-101

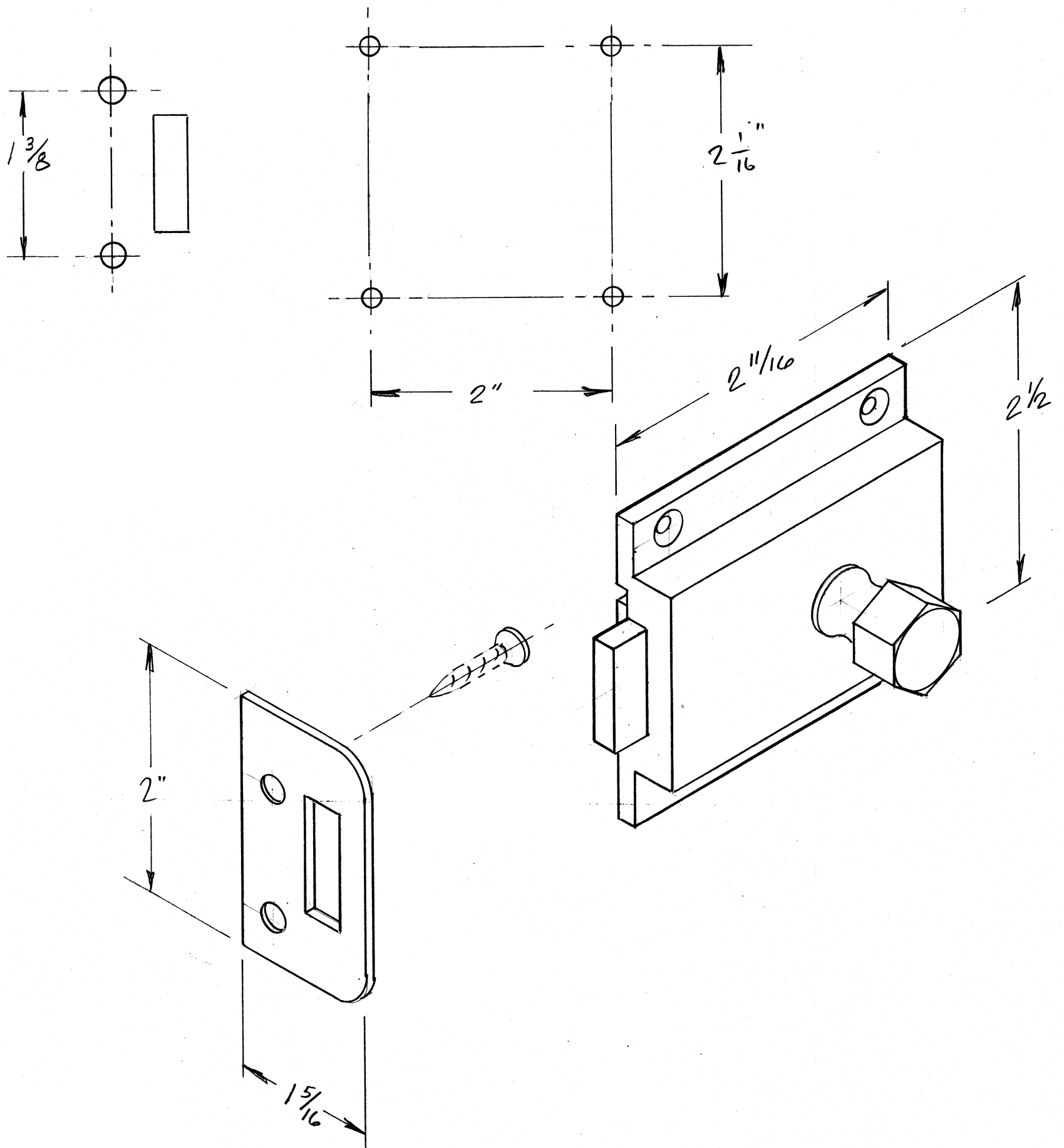
REV.

A

**HMS MARINE HARDWARE, INC.**

TEL: 516-546-1300 FAX: 516-623-9155  
 WWW.HMS-MARINE-HARDWARE.COM





MATERIAL : BRASS  
 FINISH : SATIN CHROME STD.  
 OPT. : BRIGHT CHROME / BRASS

PRODUCT

RIM BOLT & KEEPER, TYPE 15009

HMS PART NO.

HMS-30-102

REV.

A

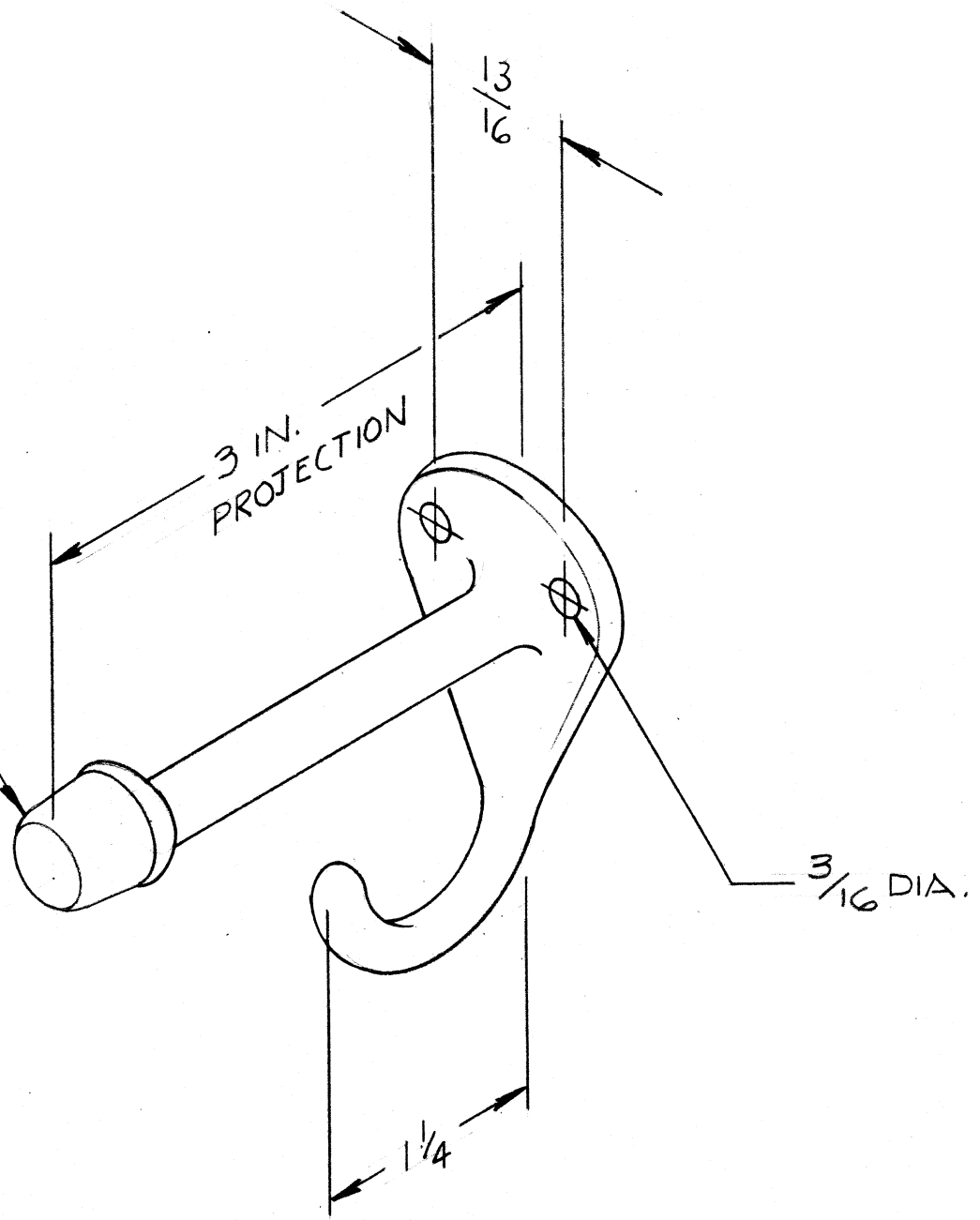
**HMS MARINE HARDWARE, INC.**

TEL: 516-546-1300

FAX: 516-623-9155

WWW.HMS-MARINE-HARDWARE.COM

RUBBER  
BUMPER



MATERIAL:  
CAST STAINLESS STEEL  
OR CAST BRASS

FINISH:  
SATIN CHROME  
OR BRIGHT CHROME

MADE IN U.S.A.

PRODUCT

COAT HOOK & BUMPER-LAVATORY

HMS PART NO.

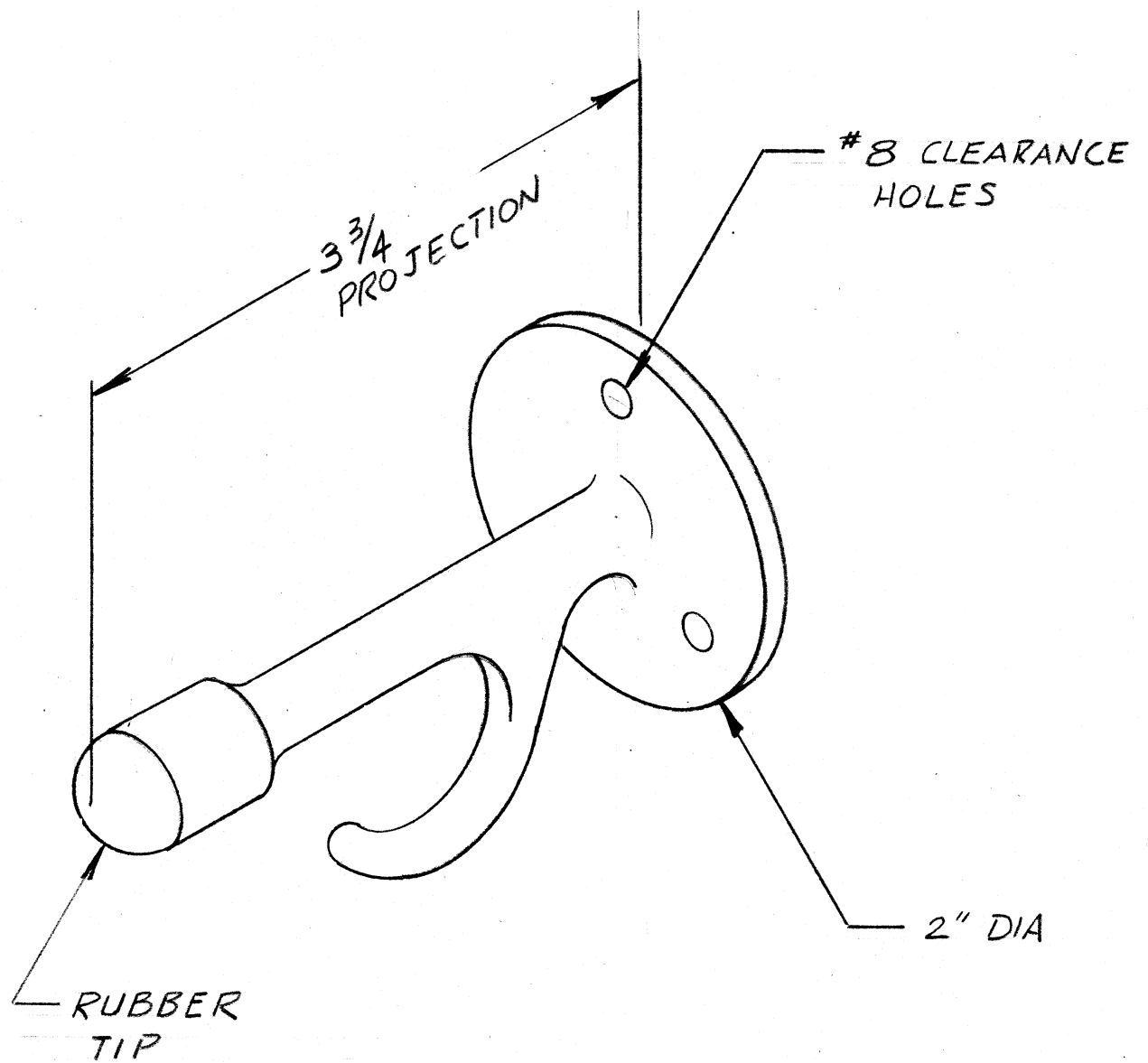
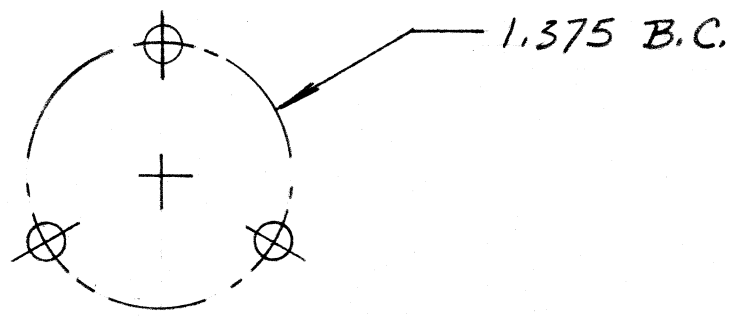
HMS-30-103

REV.

A

**HMS MARINE HARDWARE, INC.**

TEL: 516-546-1300 FAX: 516-623-9155  
WWW.HMS-MARINE-HARDWARE.COM



NOTES:

- 1) BOMMER P/N15030
- 2) MATERIAL: CAST BRASS
- 3) REF NAVSEA 804-4501629

TABLE	
DASH	FINISH
26	US 26 BRIGHT CHROME
26D	US 26 D DULL CHROME

MADE IN U.S.A.

PRODUCT COAT HOOK AND BUMPER

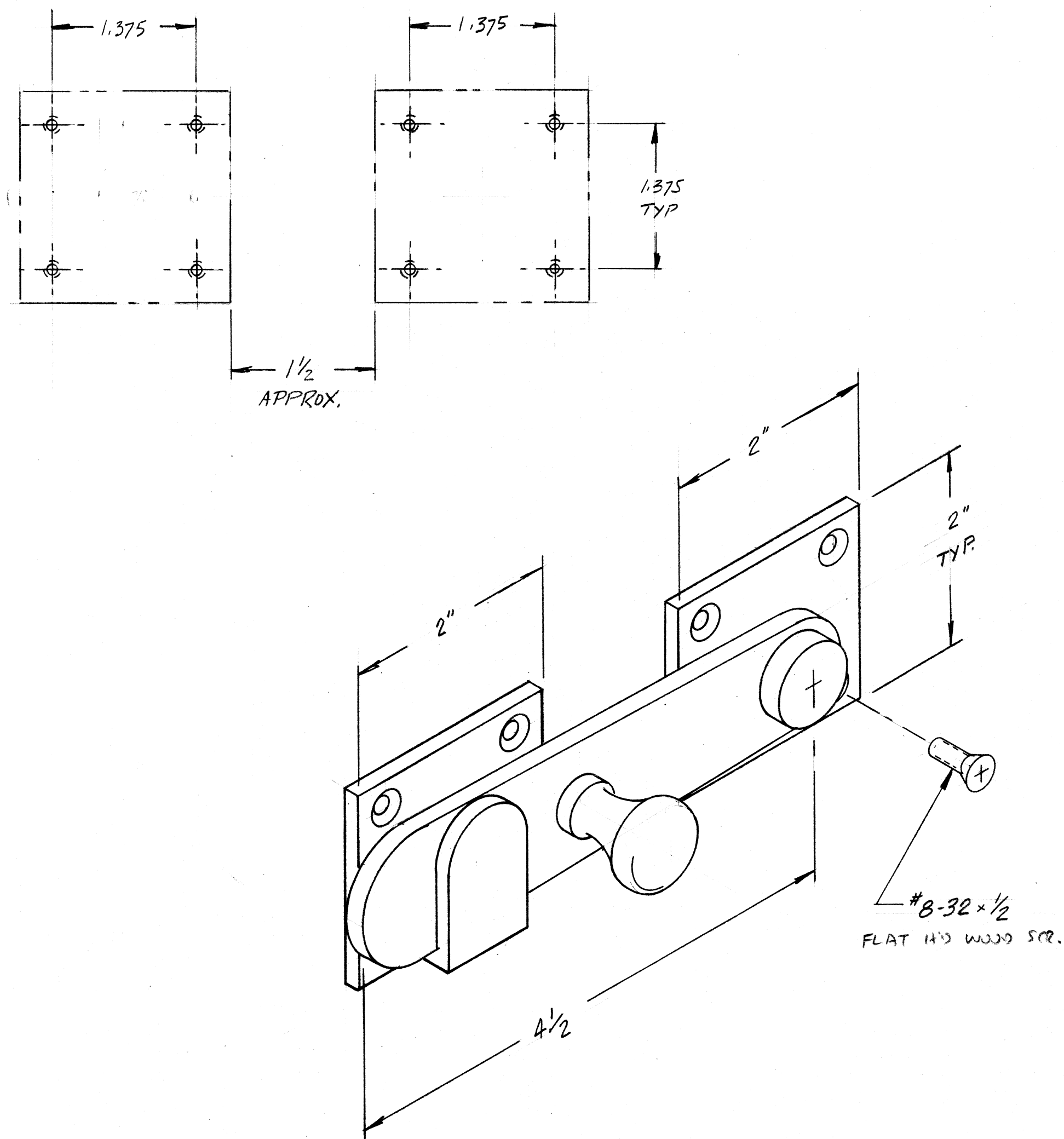
HMS PART NO. HMS-30-104-

REV. B

**HMS MARINE HARDWARE, INC.**

TEL: 516-546-1300 FAX: 516-623-9155  
WWW.HMS-MARINE-HARDWARE.COM





NOTES

- 1) MATERIAL: BRASS
- 2 FINISH: US26D, DULL CHROME  
OR  
US26, BRIGHT CHROME

"SPECIFICATION": BOMMER P/N 15001

MADE IN U.S.A.

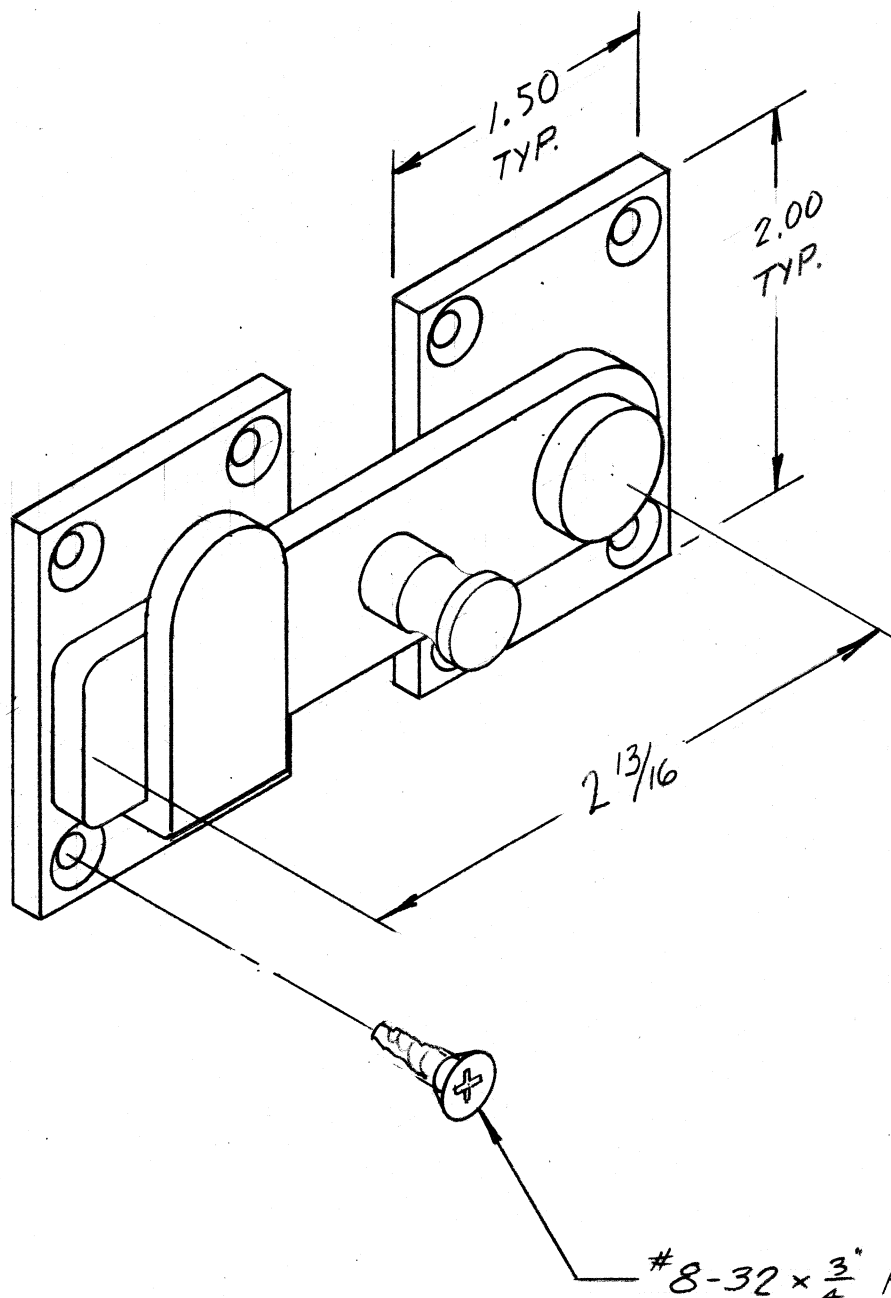
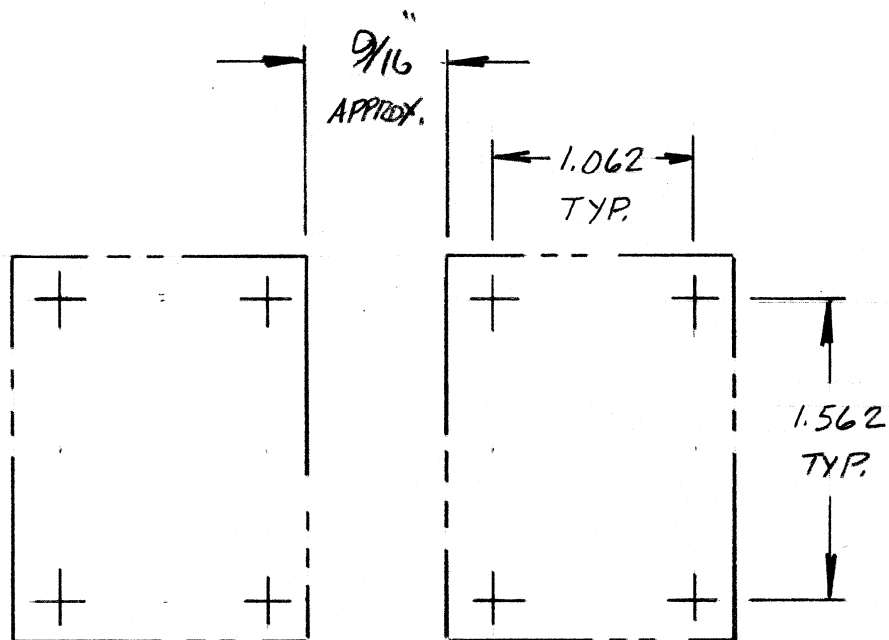
PRODUCT	DOUBLE DOOR	HMS PART NO.	REV.
THROW LATCH & KEEPER		HMS-30-106	A

**HMS MARINE HARDWARE, INC.**

TEL: 516-546-1300 FAX: 516-623-9155  
WWW.HMS-MARINE-HARDWARE.COM







MADE IN U.S.A.

#8-32 x 3/4" F.H. WOOD SCR. (8)

NOTES:

- 1) MATERIAL: BRASS
- 2) FINISH: US26D DULL CHROME  
OR  
US26 BRIGHT CHROME

TABLE	
DASH No.	FINISH
-26D	US26D - DULL CHROME
-26	US26 - BRIGHT CHROME

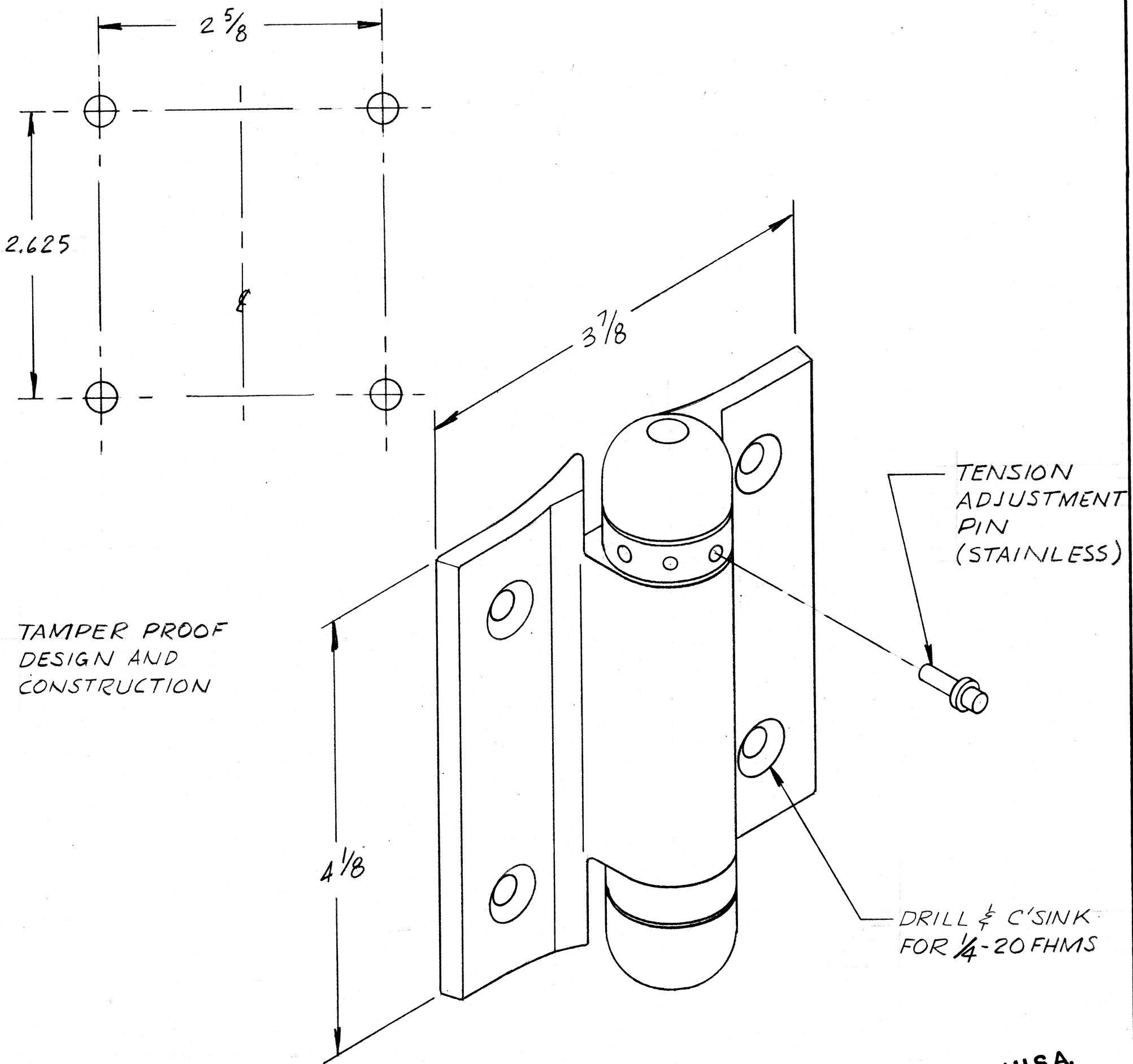
SPECIFICATION - BOMMER 15000

EXAMPLE PART NO.:  
HMS-30-107-26D

PRODUCT THROW LATCH & KEEPER	HMS PART NO.	REV.
	HMS-30-107-__	A

**HMS MARINE HARDWARE, INC.**





TAMPER PROOF  
DESIGN AND  
CONSTRUCTION

TENSION  
ADJUSTMENT  
PIN  
(STAINLESS)

DRILL  $\frac{1}{4}$  C'SINK  
FOR  $\frac{1}{4}$ -20 FHMS

MADE IN U.S.A.

FEATURES:

- BODY: SPECIAL ZAMAC ALLOY (NON-MAGNETIC)
- FINISH: SATIN NICKEL-CHROME
- STAINLESS STEEL: THRUST BEARINGS MECHANISM (ALL)
- WINDING LUG
- GROOVE PINS
- SPRING LUG
- TENSION PIN
- SPRING

TABLE	
DASH	DOOR SPRUNG
O	OPEN ("REVERSE")
C	CLOSED

EXAMPLE P/N  
HMS-30-109-0  
(SPRUNG OPEN)

WEIGHT 3 1/2 LB/PAIR

SPECIFICATIONS:

NAVSEA DWG 604 4834972 REV F.  
NAVSEA DWG 804 4501629 PC. 7 EQUAL TO.

OR-EQUAL: BOMMER 1011 (INTERCHANGEABLE)

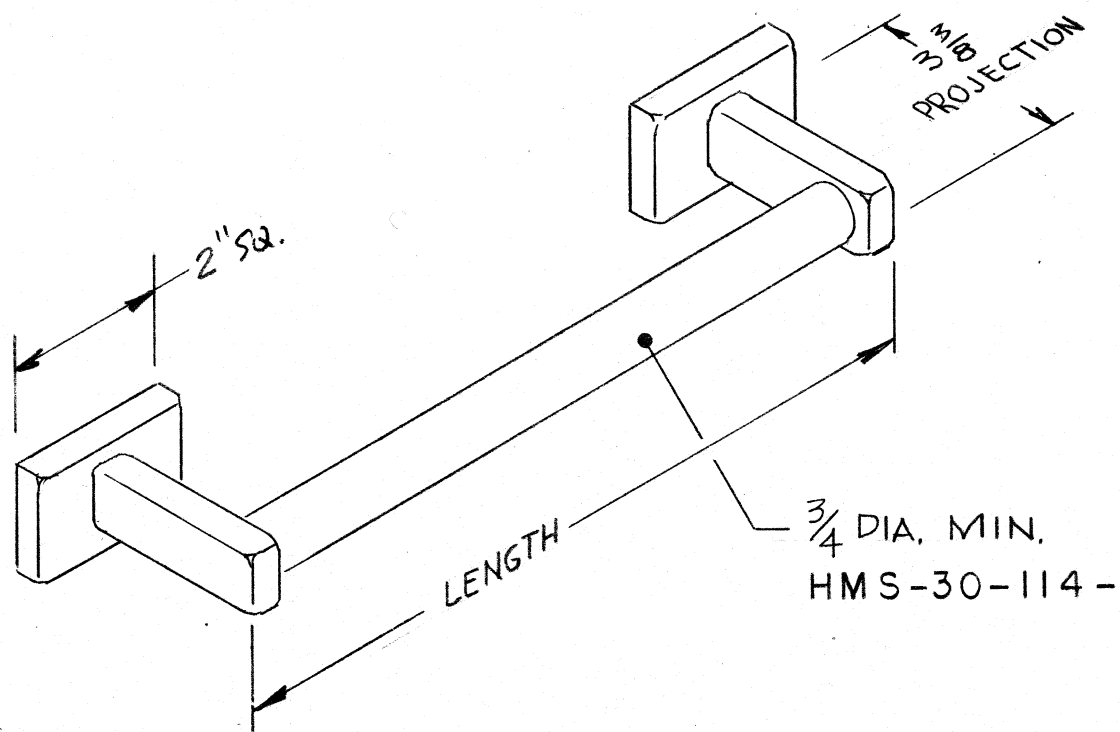
PRODUCT	200M1	HMS PART NO.	REV.
HINGE-WATER CLOSET, SERIES		HMS-30-109-	C

**HMS MARINE HARDWARE, INC.**

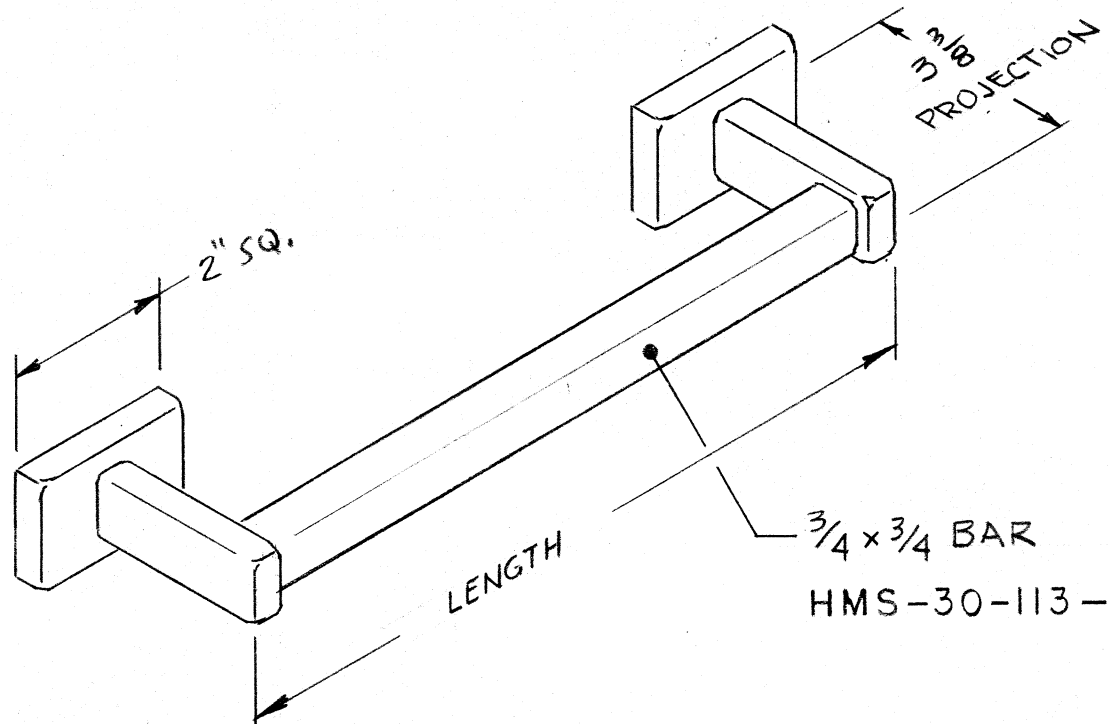
TEL: 516-546-1300 FAX: 516-623-9155  
WWW.HMS-MARINE-HARDWARE.COM







NOTE: MAX MOUNTING HEIGHT FOR BOTH TOWEL BARS:  
46" ABOVE FLOOR, TO CONFORM WITH DISABILITIES ACT.



MATERIAL —  
ALL STAINLESS STEEL

SPECIFICATIONS —  
WW-P-541/8  
TYPE IV  
CLASS I

WW-P-541 b  
TYPE 431

TABLE I	
DASH	LENGTH
-18	18 INCH
-24	24 INCH

TABLE II	
DASH	FINISH
-B	BRIGHT
-S	SATIN

EXAMPLE PART NO  
HMS-30-113-18-S  
SQUARE BAR —  
18 INCH —  
SATIN —

PRODUCT  
BAR, TOWEL — STAINLESS

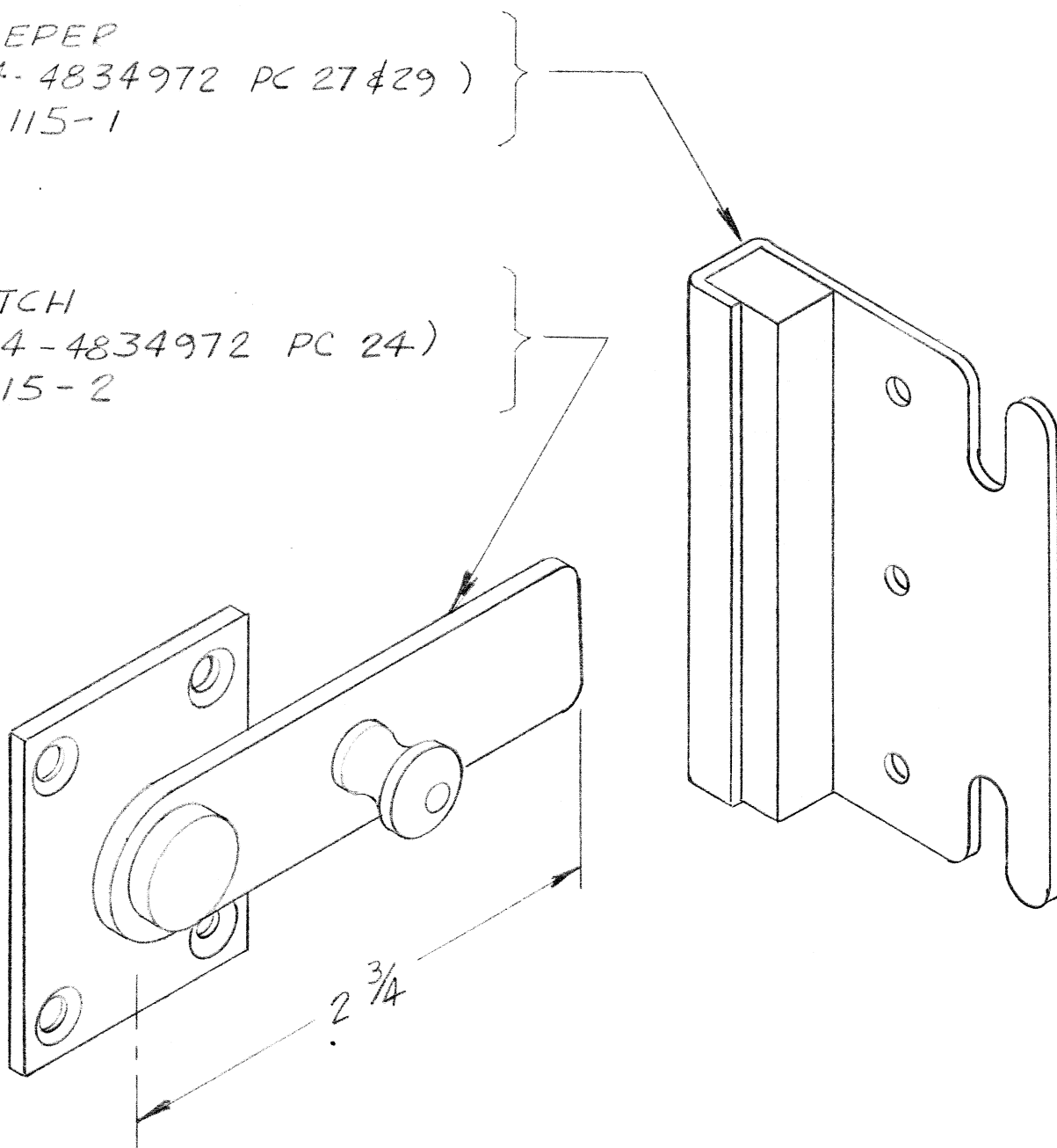
HMS PART NO. REV.  
HMS-30-113 / -114 B

**HMS MARINE HARDWARE, INC.**

TEL: 516-546-1300 FAX: 516-623-9155  
WWW.HMS-MARINE-HARDWARE.COM

STOP & KEEPER  
(NAVSEA 604-4834972 PC 27 & 29)  
HMS-30-115-1

THROW LATCH  
(NAVSEA 604-4834972 PC 24)  
HMS-30-115-2



MATERIAL-

STAINLESS STEEL TYPE 304  
SATIN FINISH

EQUAL TO BOMMER 15000

PRODUCT  
LATCH & KEEPER, W/C DOOR

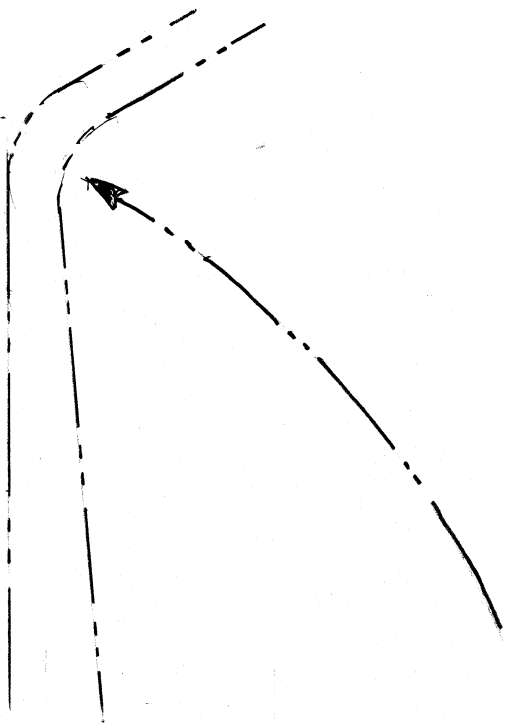
HMS PART NO.  
HMS-30-115-AY

REV.  
E

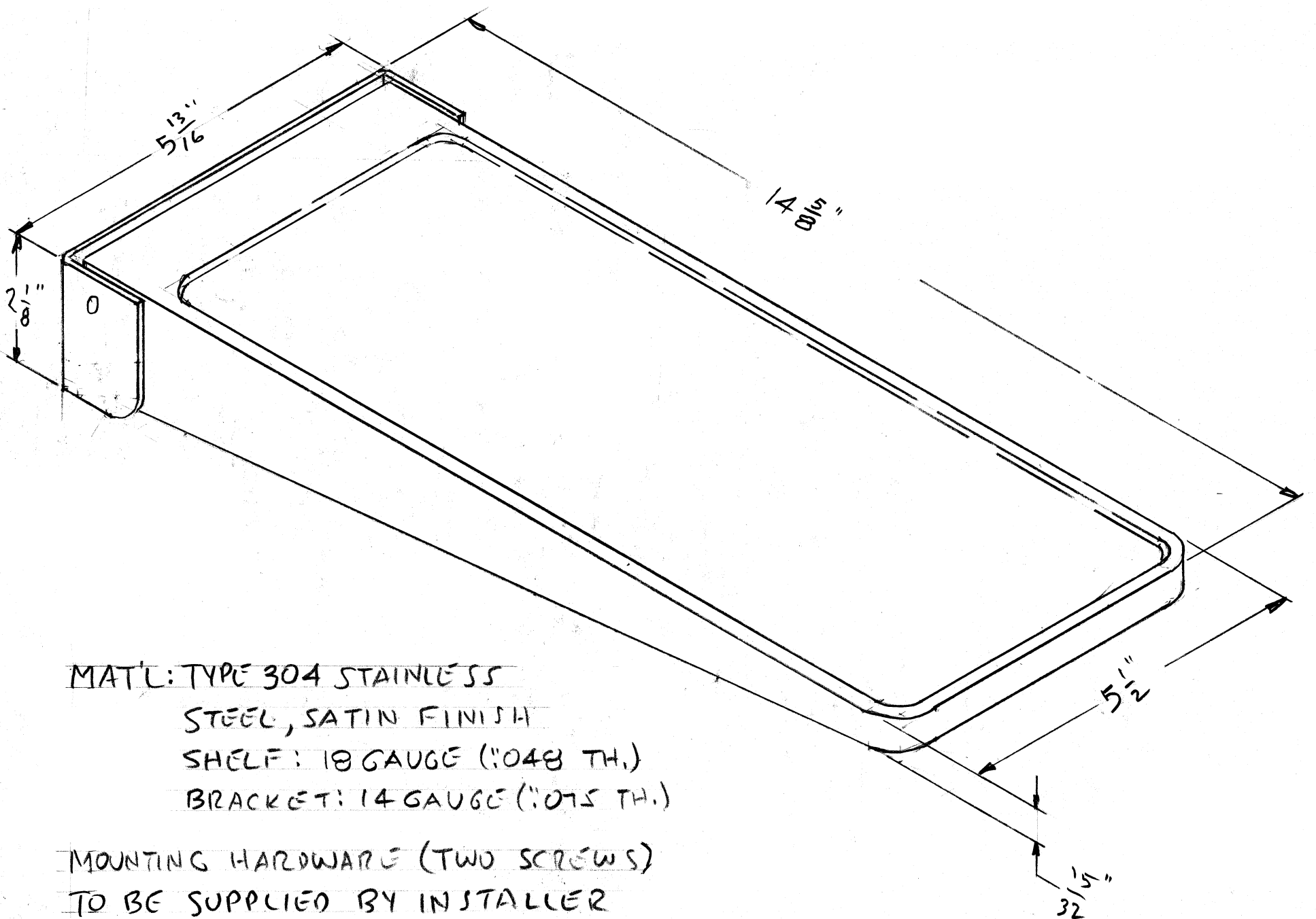
**HMS MARINE HARDWARE, INC.**

TEL: 516-546-1300 FAX: 516-623-9155  
WWW.HMS-MARINE-HARDWARE.COM





INTERNAL SPRING RETURNS SHELF TO UPRIGHT POSITION WHEN SHELF IS NOT IN USE. SHELF IS MANUALLY LOWERED AND WEIGHT OF OBJECTS PLACED ON SHELF MAINTAINS ITS HORIZONTAL POSITION.



MAT'L: TYPE 304 STAINLESS  
 STEEL, SATIN FINISH  
 SHELF: 18 GAUGE (.048 TH.)  
 BRACKET: 14 GAUGE (.075 TH.)

MOUNTING HARDWARE (TWO SCREWS)  
 TO BE SUPPLIED BY INSTALLER

PRODUCT  
 SHELF, UTILITY, WASHROOM

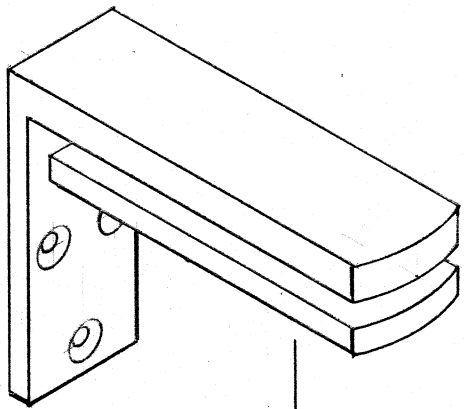
HMS PART NO.  
 HMS-30-116

REV.  
 A

**HMS MARINE HARDWARE, INC.**

TEL: 516-546-1300 FAX: 516-623-9155  
 WWW.HMS-MARINE-HARDWARE.COM

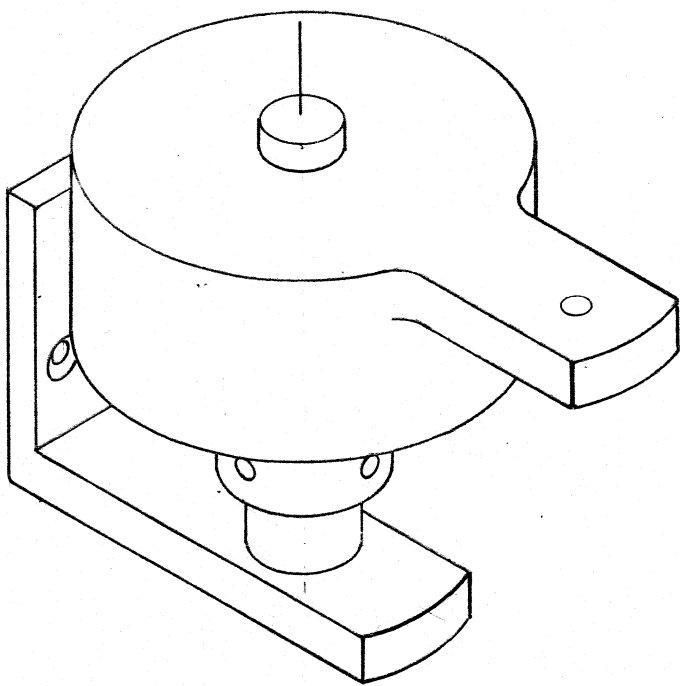




MATERIAL- BRASS  
DOUBLE ACTING  
BALL BEARING  
ADJUSTABLE SPRING  
NON-HANDED

MAXIMUM DOOR:  
WIDTH- 36"  
WEIGHT- 75 LBS.

WEIGHT - 4 1/2 LBS / SET



AVAILABLE FINISHES  
US3- BRIGHT BRASS  
US26- BRIGHT CHROME  
US26D- DULL CHROME

**PRODUCT**  
HINGE - PIVOT, SPRING

**SERIES**  
7300

**HMS PART NO.**  
HMS-30-117

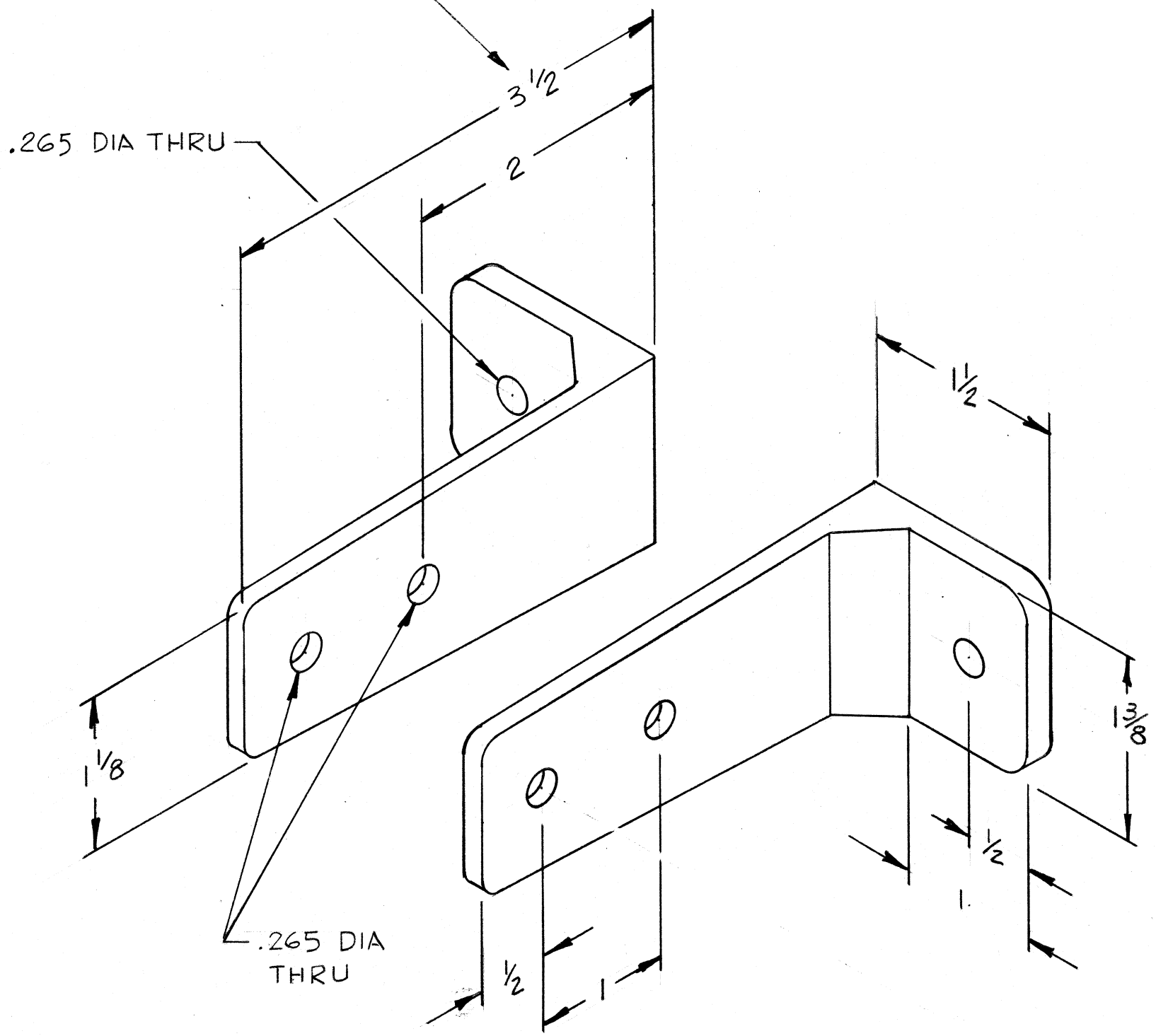
**REV.**  
B

**HMS MARINE HARDWARE, INC.**

TEL: 516-546-1300 FAX: 516-623-9155  
WWW.HMS-MARINE-HARDWARE.COM



ALSO AVAILABLE  
@ 2 1/2"



MATERIAL -  
STAINLESS STEEL  
FINISH -  
BRUSHED

ORDERING UNIT: PAIR

MADE IN U.S.A.

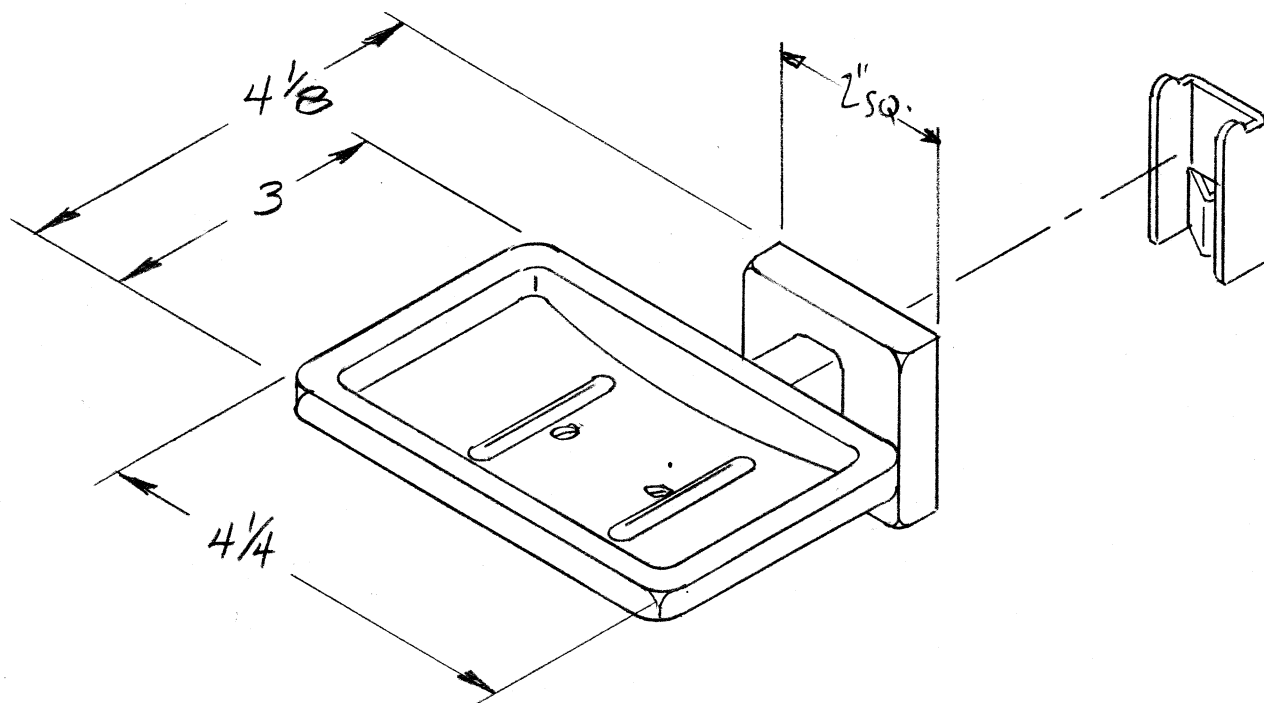
PRODUCT BRACKET - PARTITION (W/C - SHOWER)	HMS PART NO. HMS-30-120	REV. A
---	----------------------------	-----------

**HMS MARINE HARDWARE, INC.**

TEL: 516-546-1300 FAX: 516-623-9155  
WWW.HMS-MARINE-HARDWARE.COM







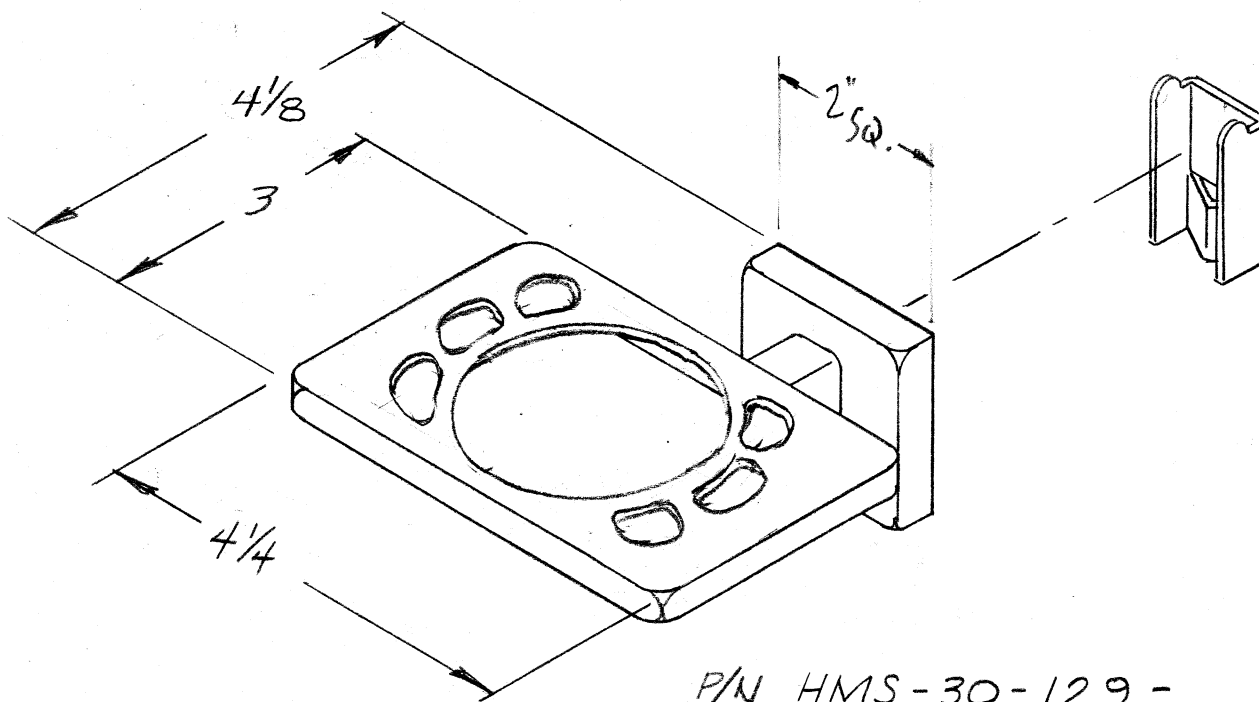
P/N HMS-30-130-

NOTES -

- 1) MATERIAL: STAINLESS STEEL  
TYPE 304
- 2) SPECIFICATION:  
WW-P-541/8  
TYPE 6  
CLASS 1

TABLE	
DASH	FINISH
B	BRIGHT (US 32)
S	SATIN (US 32D)

NOTE: MAX MOUNTING HEIGHT FOR BOTH SOAP DISH AND TOOTHBRUSH/TUMBLER HOLDER: 46" ABOVE FLOOR, TO CONFORM WITH DISABILITIES ACT



P/N HMS-30-129-

NOTES -

- 1) MATERIAL: STAINLESS STEEL  
TYPE 304
- 2) SPECIFICATION:  
WW-P-541/8  
TYPE 6  
CLASS 4

TABLE	
DASH	FINISH
B	BRIGHT (US 32)
S	SATIN (US 32D)

PRODUCT HOLDER - TOOTHBRUSH & TUMBLER  
- SOAP DISH

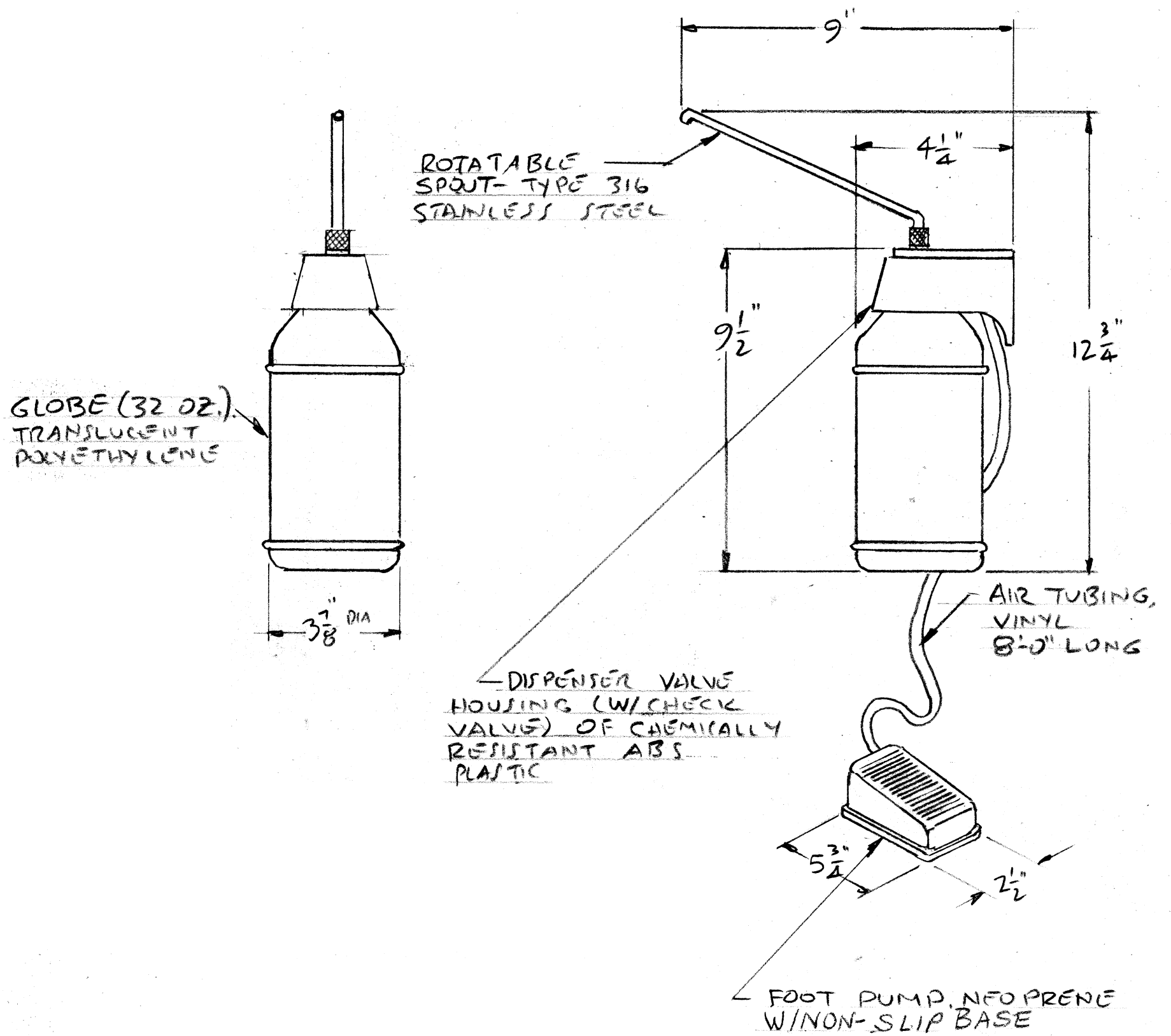
HMS PART NO.  
HMS -30-129 / -130

REV.  
B

**HMS MARINE HARDWARE, INC.**

TEL: 516-546-1300 FAX: 516-623-9155  
WWW.HMS-MARINE-HARDWARE.COM





NOTE:  
 VALVE HOUSING SECURES TO MOUNTING SURFACE BY MEANS OF A CONCEALED MOUNTING PLATE.

PRODUCT DISPENSER, LIQUID SOAP - FOOT OPERATED

HMS PART NO.  
 HMS-30-134-1600

REV.

**HMS MARINE HARDWARE, INC.**

TEL: 516-546-1300 FAX: 516-623-9155  
 WWW.HMS-MARINE-HARDWARE.COM

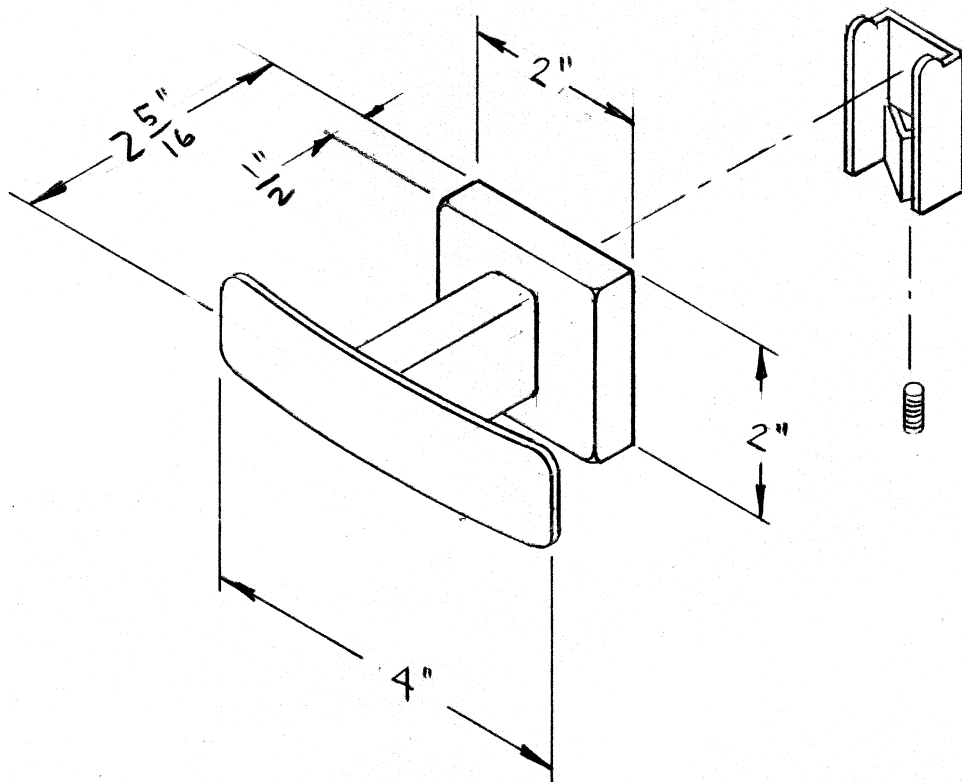


TABLE	
DASH	FINISH
B	BRIGHT POLISH
S	SATIN POLISH

NOTES:

- 1) MATERIAL - TYPE 304 STAINLESS STEEL
- 2) MAX MOUNTING HEIGHT: 48" ABOVE FLOOR, TO CONFORM TO AMERICANS W/ DISABILITIES ACT.

SPECIFICATION:

WW-P-541

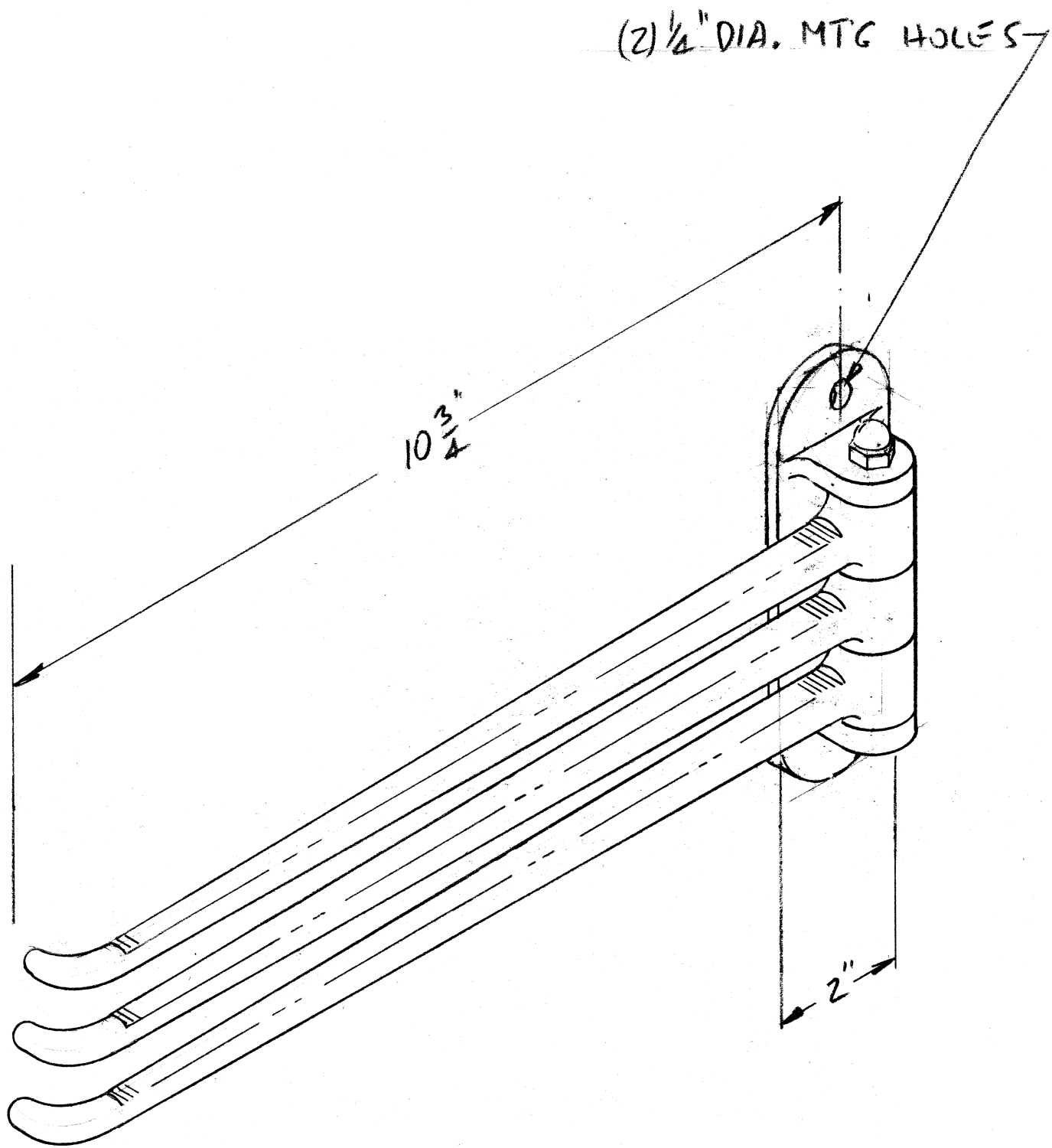
MADE IN U.S.A.

PRODUCT	HMS PART NO.	REV.
HOOK — ROBE , DOUBLE	HMS-30-138-__	B

**HMS MARINE HARDWARE, INC.**

TEL: 516-546-1300 FAX: 516-623-9155  
WWW.HMS-MARINE-HARDWARE.COM





MATERIAL:  
BRASS

FINISH:  
CHROME

ALSO AVAILABLE:  
SATIN CHROME, BRIGHT NICKEL, SATIN NICKEL

DRAWING SPECIFICATION  
NAVSEA 810-2145802, REV A.

PRODUCT

RACK, TOWEL (3-ARM)

HMS PART NO.

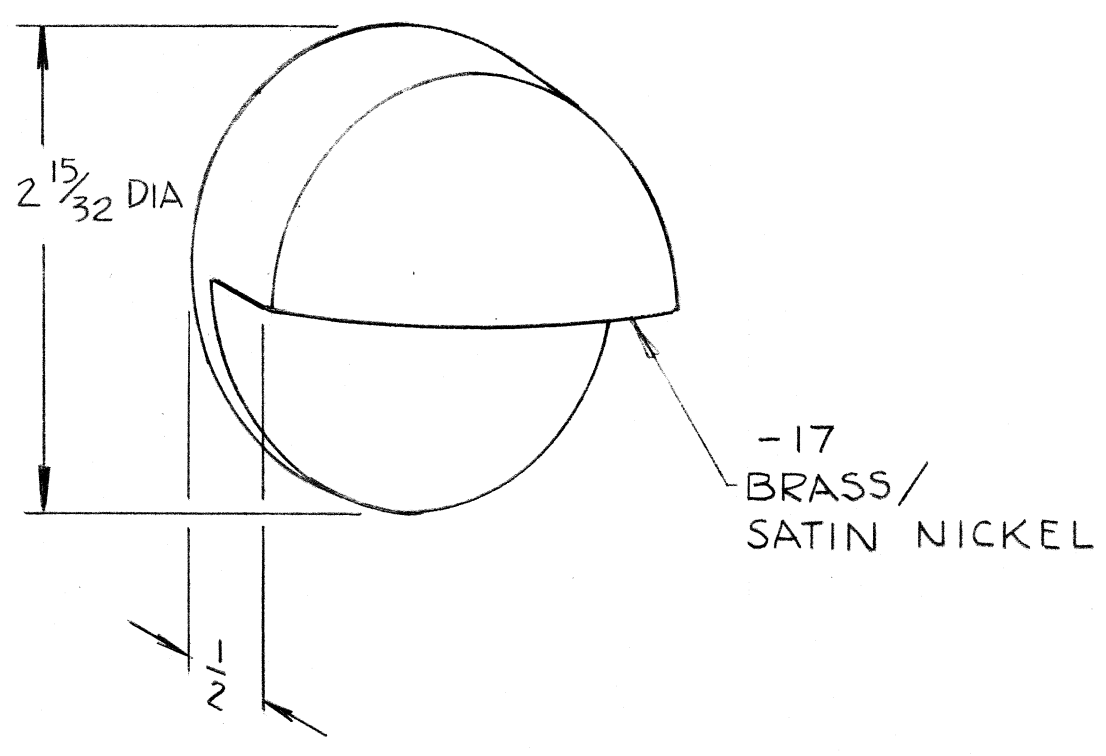
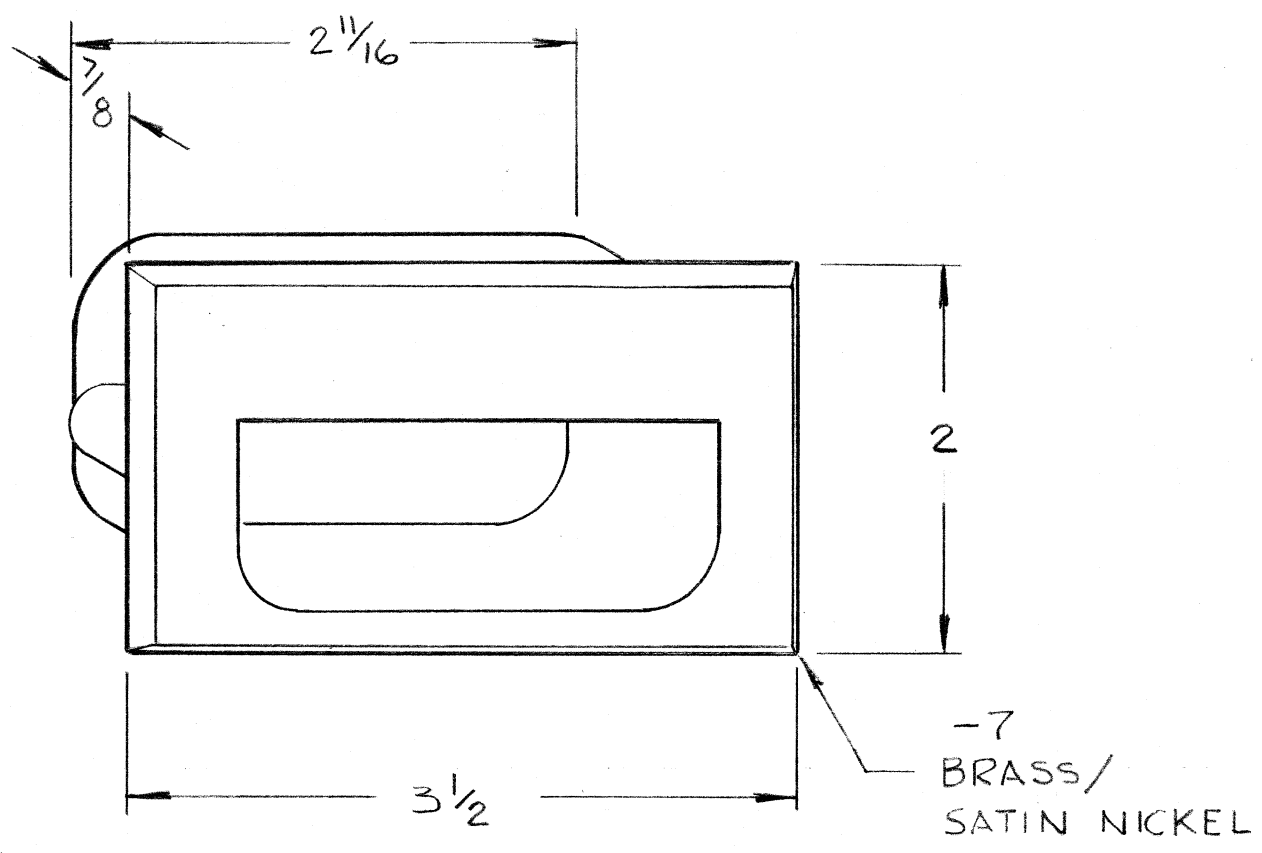
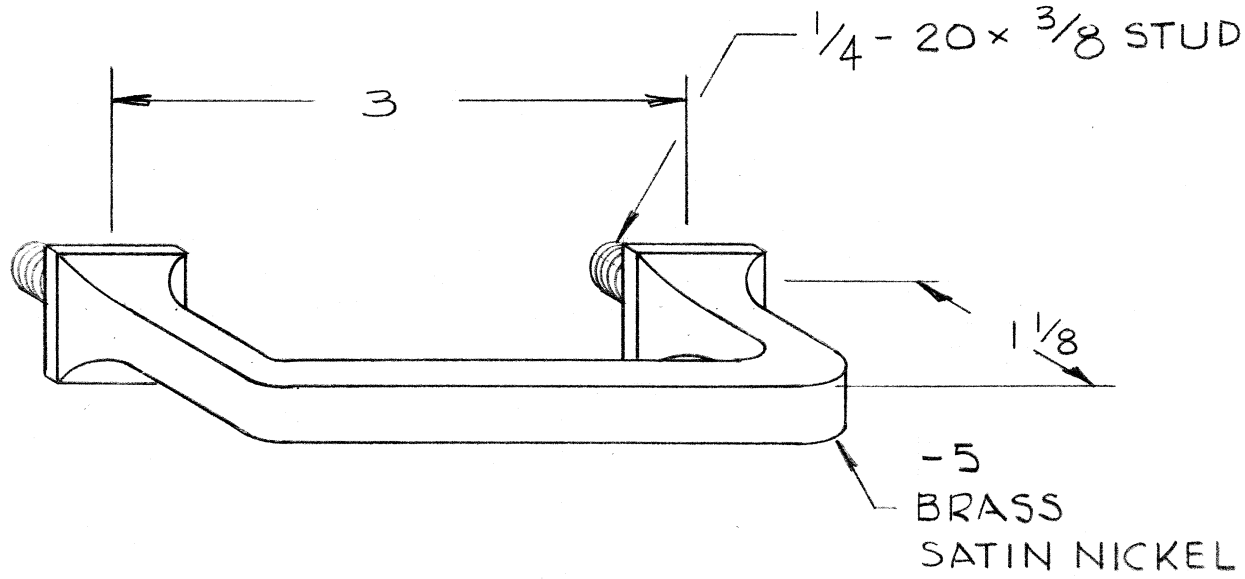
HMS-30-143

REV.

A

**HMS MARINE HARDWARE, INC.**

TEL: 516-546-1300 FAX: 516-623-9155  
WWW.HMS-MARINE-HARDWARE.COM



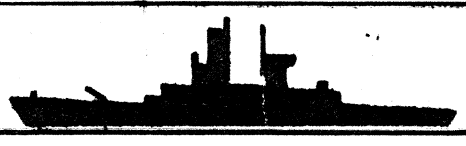
REF  
NAVSEA 53200-860055

MADE IN U.S.A.

<b>PRODUCT</b> PULL - CABINET, VARIOUS	<b>HMS PART NO.</b> HMS-50-101-__-__	<b>REV.</b> A
---	---	------------------

**HMS MARINE HARDWARE, INC.**

TEL: 516-546-1300 FAX: 516-623-9155  
 WWW.HMS-MARINE-HARDWARE.COM



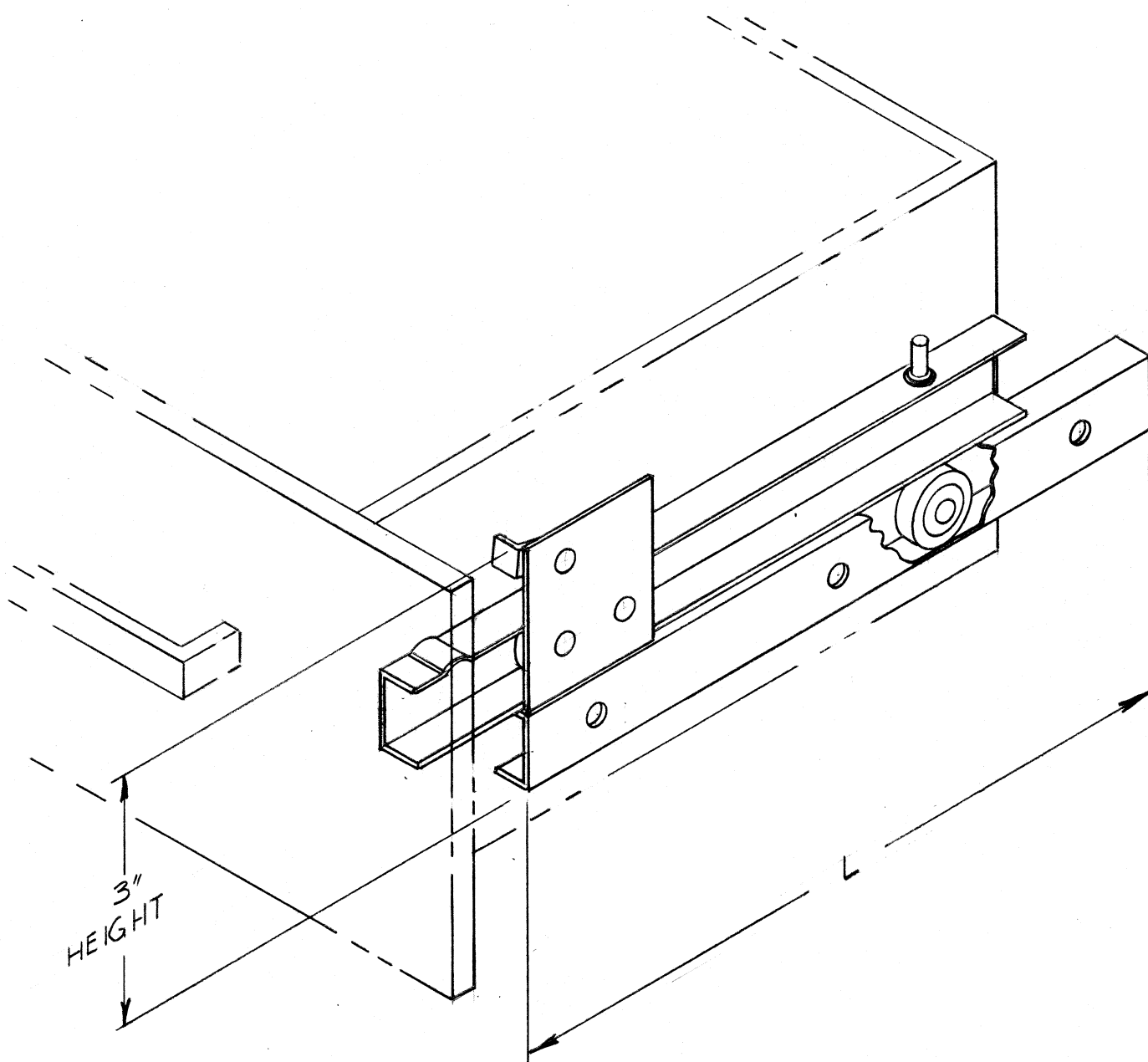


TABLE I	
DASH	TIRE MATERIAL
N	NYLON
S	STAINLESS STEEL (FOR HEATED CABINETS)

NOTES:

- 1) MATERIAL - TRACKS: STAINLESS STEEL  
BEARINGS: STAINLESS STEEL
- 2) CAPACITY - 150 lbs. (18" DRAWER SLIDE)
- 3) SPACE REQ'D -  $\frac{9}{16}$  EACH SIDE

REFERENCE - GETTY SSA-9100HD

EXAMPLE PART NO. HMS-50-102-N-16  
 NYLON TIRES  $\left\{ \begin{array}{l} \text{---} \\ \text{---} \end{array} \right.$  16 INCH LENGTH

TABLE II	
DASH	TRACK LENGTH (L)
-16	16 INCH (EXT'N= 11 $\frac{3}{4}$ )
-18	18 INCH (EXT'N= 12 $\frac{3}{4}$ )
-	ALSO AVAILABLE IN 20, 22, 24, 26 & 28 INCH LENGTHS

**MADE IN U.S.A.**

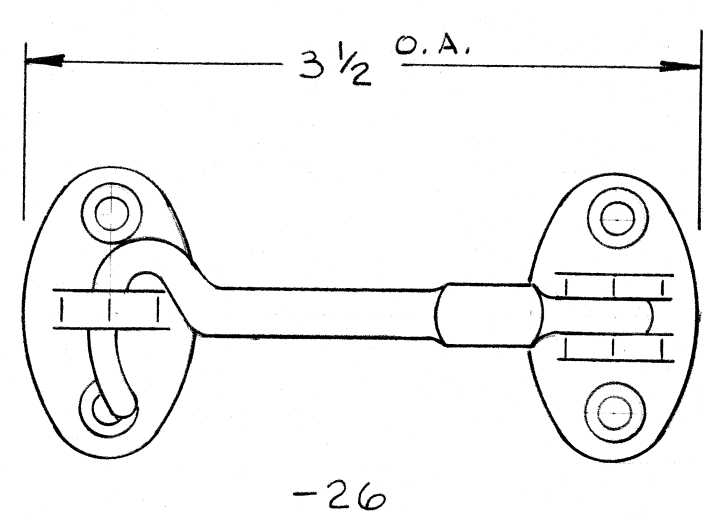
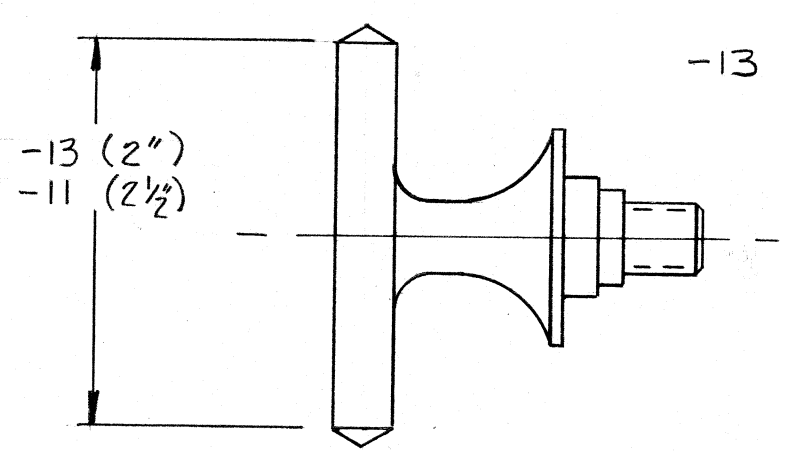
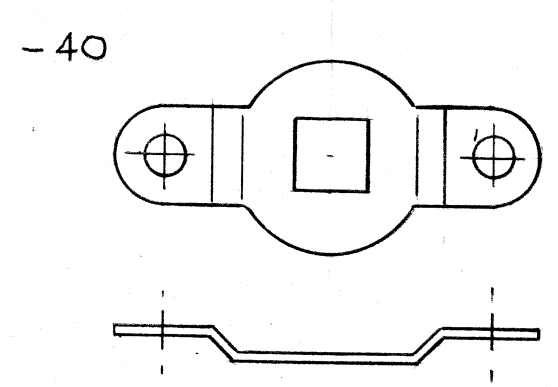
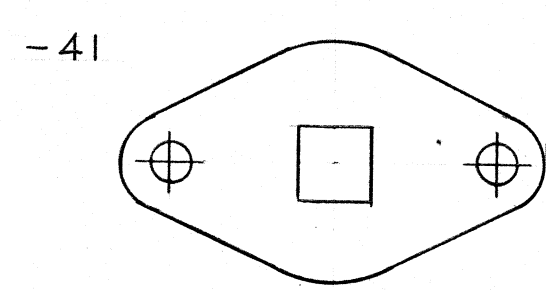
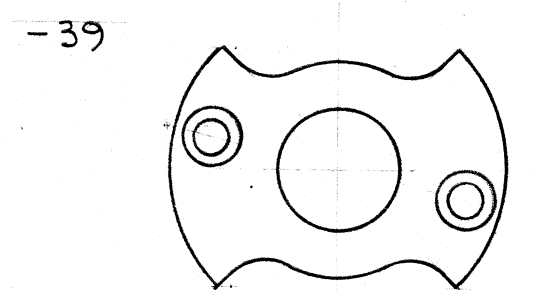
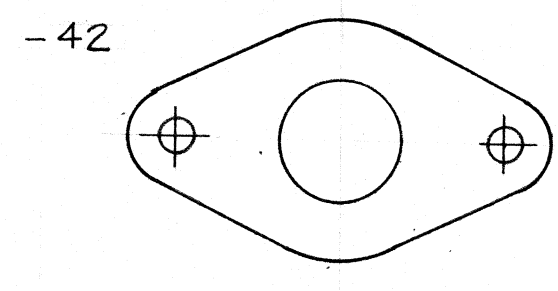
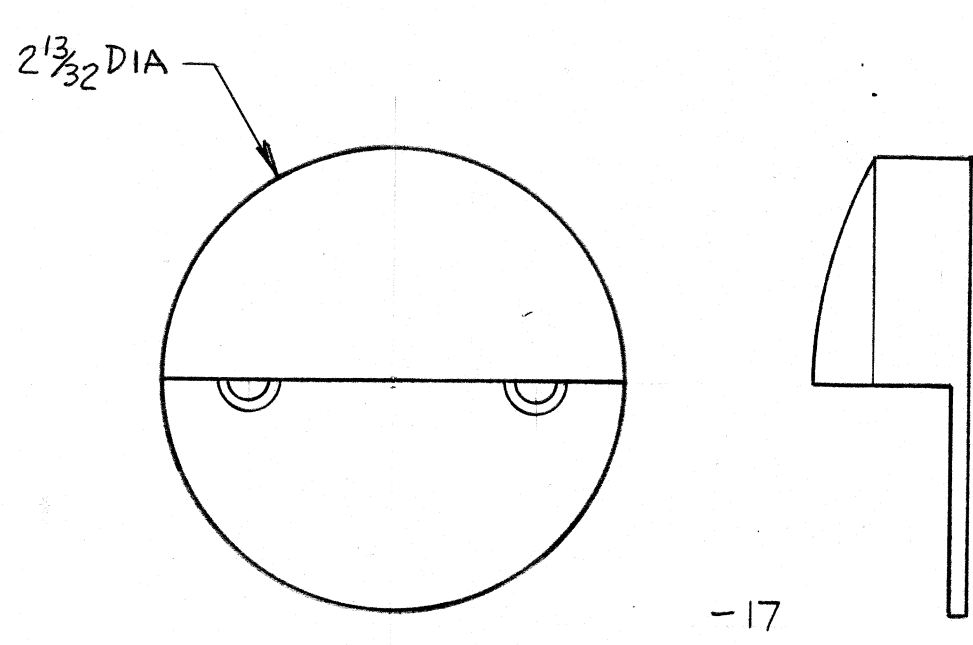
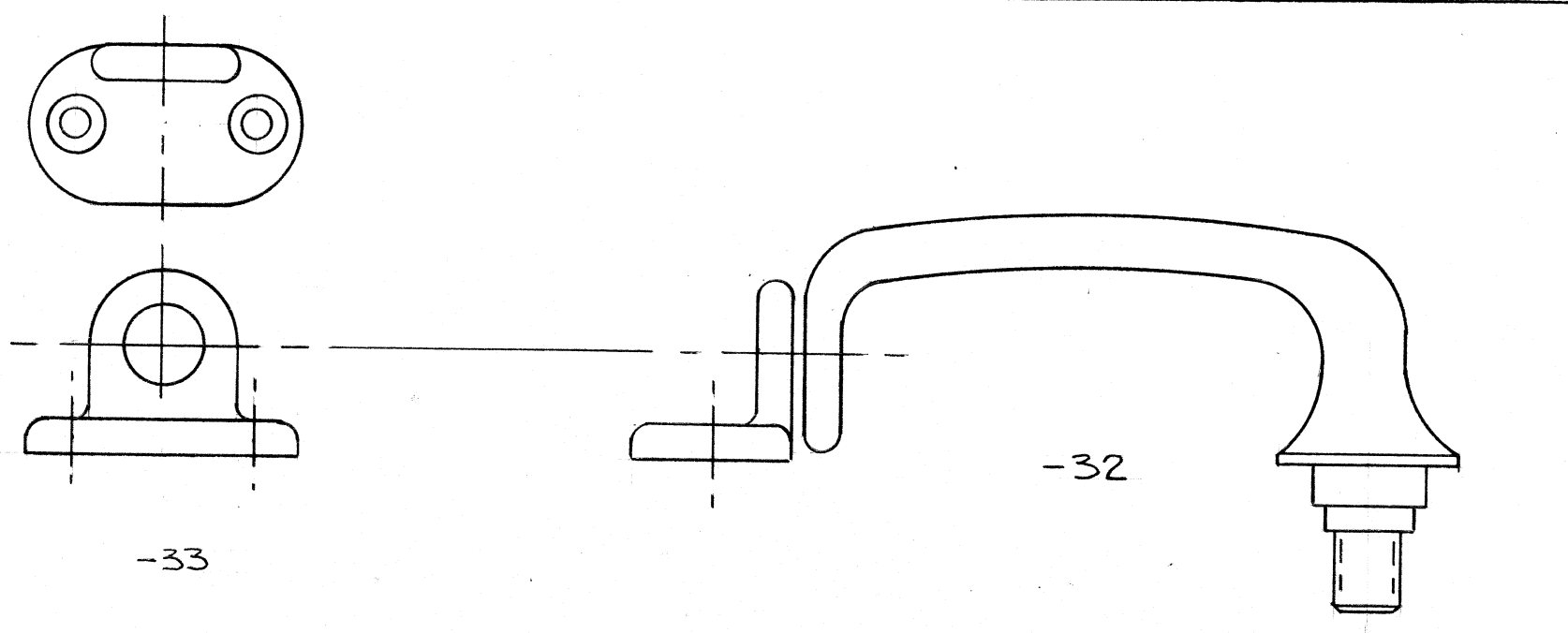
**PRODUCT**  
SLIDE - DRAWER , HEAVY-DUTY

**HMS PART NO.**  
HMS-50-102-\_\_-\_\_ **REV.**  
B

**HMS MARINE HARDWARE, INC.**

TEL: 516-546-1300 FAX: 516-623-9155  
 WWW.HMS-MARINE-HARDWARE.COM





- MATERIALS -
- 1) -11, -13, -17, -26, -32, -33  
CAST BRASS, SATIN NICKEL.
  - 2) -42 STAINLESS STEEL (-41  
-40, -39 SPL ORDER ONLY).
  - 3) -39, -40, -41 STEEL, ZINC  
PLATE STD,

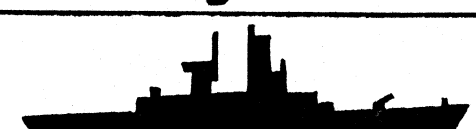
MADE IN U.S.A.

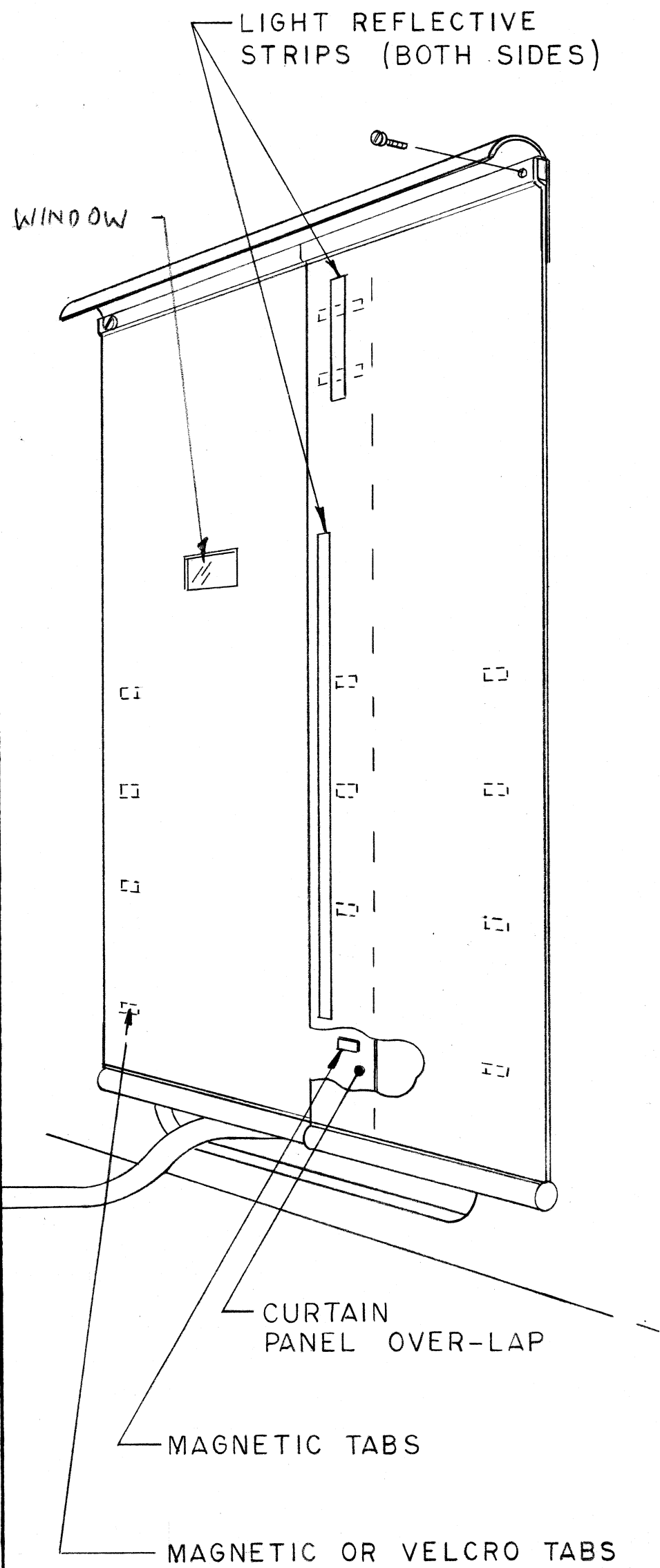
REF NAVSEA S3200-860055

<b>PRODUCT</b> LOCKER HARDWARE	<b>HMS PART NO.</b> HMS-50-110-	<b>REV.</b>
-----------------------------------	------------------------------------	-------------

**HMS MARINE HARDWARE, INC.**

TEL: 516-546-1300 FAX: 516-623-9155  
 WWW.HMS-MARINE-HARDWARE.COM



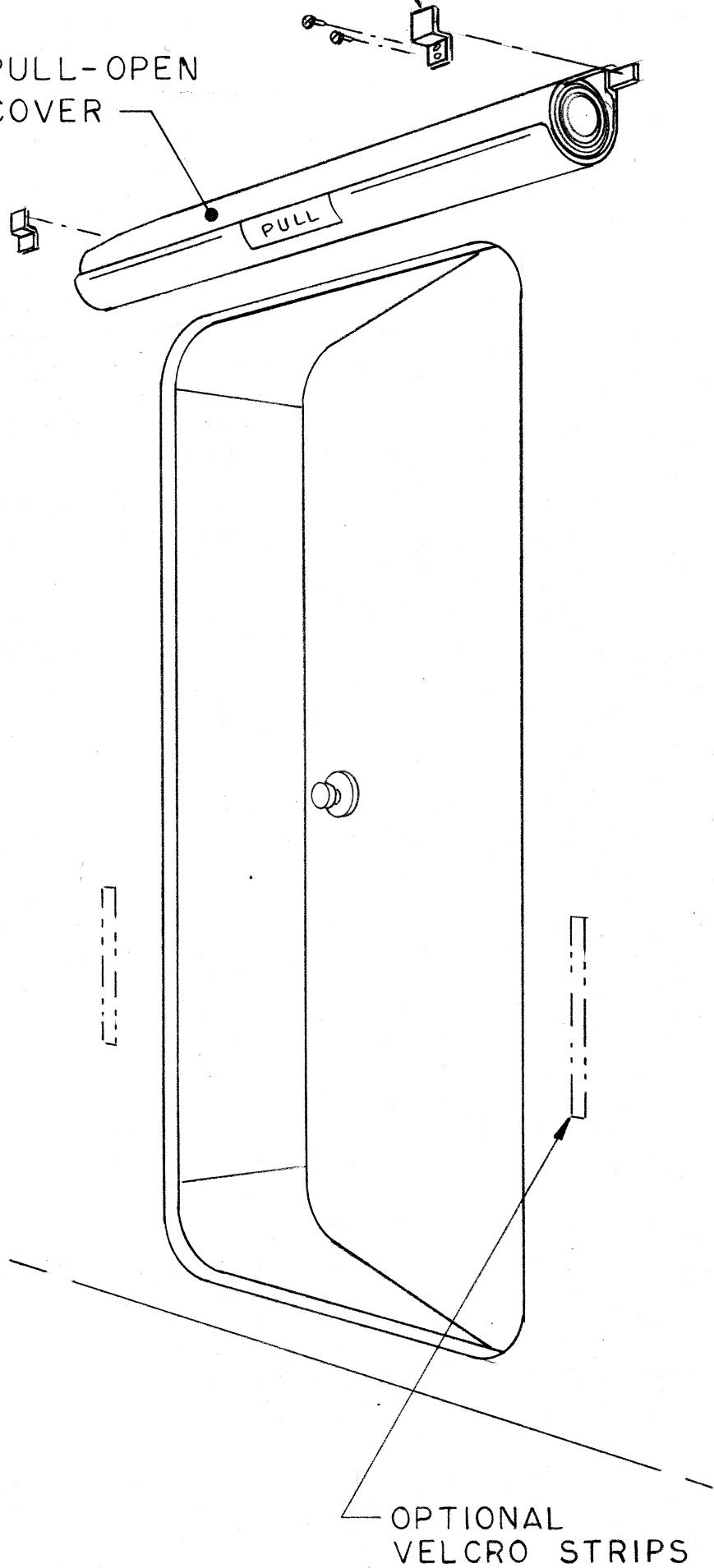


SMOKE-GARD™

SCREW MOUNTING

DROP-IN Z-BRACKETS

PULL-OPEN COVER



BRACKET MOUNTING

SHEET 1

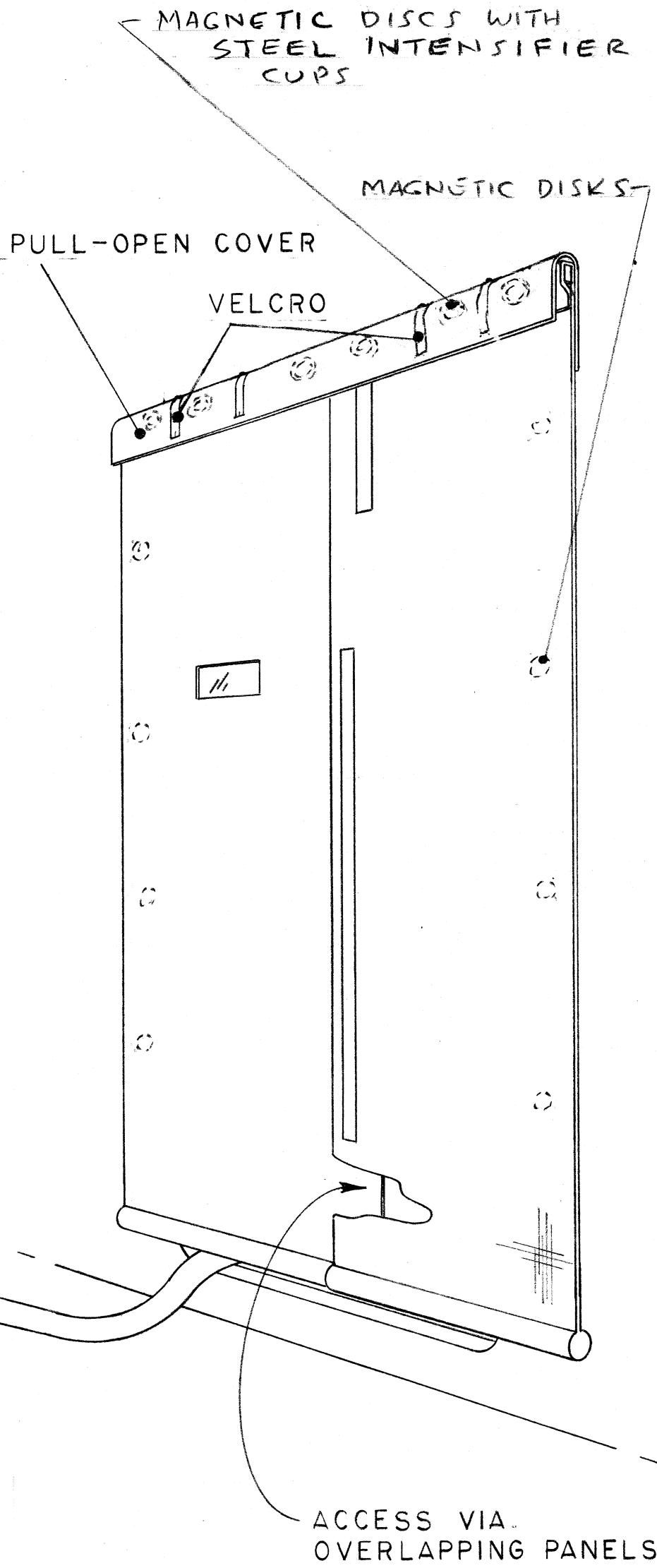
PRODUCT	RAPID-DEPLOYMENT SMOKE-CONTAINMENT CURTAINS (ST'D)	HMS PART NO.	HMS-60-110-	REV.	G
---------	--	--------------	-------------	------	---

**HMS MARINE HARDWARE, INC.**

TEL: 516-546-1300 FAX: 516-623-9155  
WWW.HMS-MARINE-HARDWARE.COM







NOTES

- SCREW MOUNTING VERSION STOWS IN PLACE ABOVE PORTAL.
- MAGNETIC MOUNTING AND BRACKET MOUNTING VERSIONS MAY BE STORED IN PLACE ABOVE PORTAL OR IN A NEARBY LOCKER TO BE DEPLOYED WHERE REQUIRED.
- ONCE MOUNTED IN POSITION, CURTAINS DEPLOY IN SECONDS, THROUGH GRAVITY.
- OVERLAPPING PANELS PROVIDE FIRE FIGHTERS QUICK ENTRANCE TO AND EXIT FROM SMOKE SOURCE.

- SPECIFICATION COMPLIANCES

MIL-C-24500  
 MIL-STD-1623  
 EXCEEDS NAVSEA MEMO 9664

- MOUNTING FASTENERS

STAINLESS STEEL

- CURTAIN AND COVER MATERIAL

HEAVY DUTY FIRE-RATED  
 ARAMID-FIBER DUPONT NOMEX CLOTH

- REFLECTIVE STRIP

FIRE-RATED

SMOKE-GARD™

ALL-MAGNETIC MOUNTING

SHEET 2

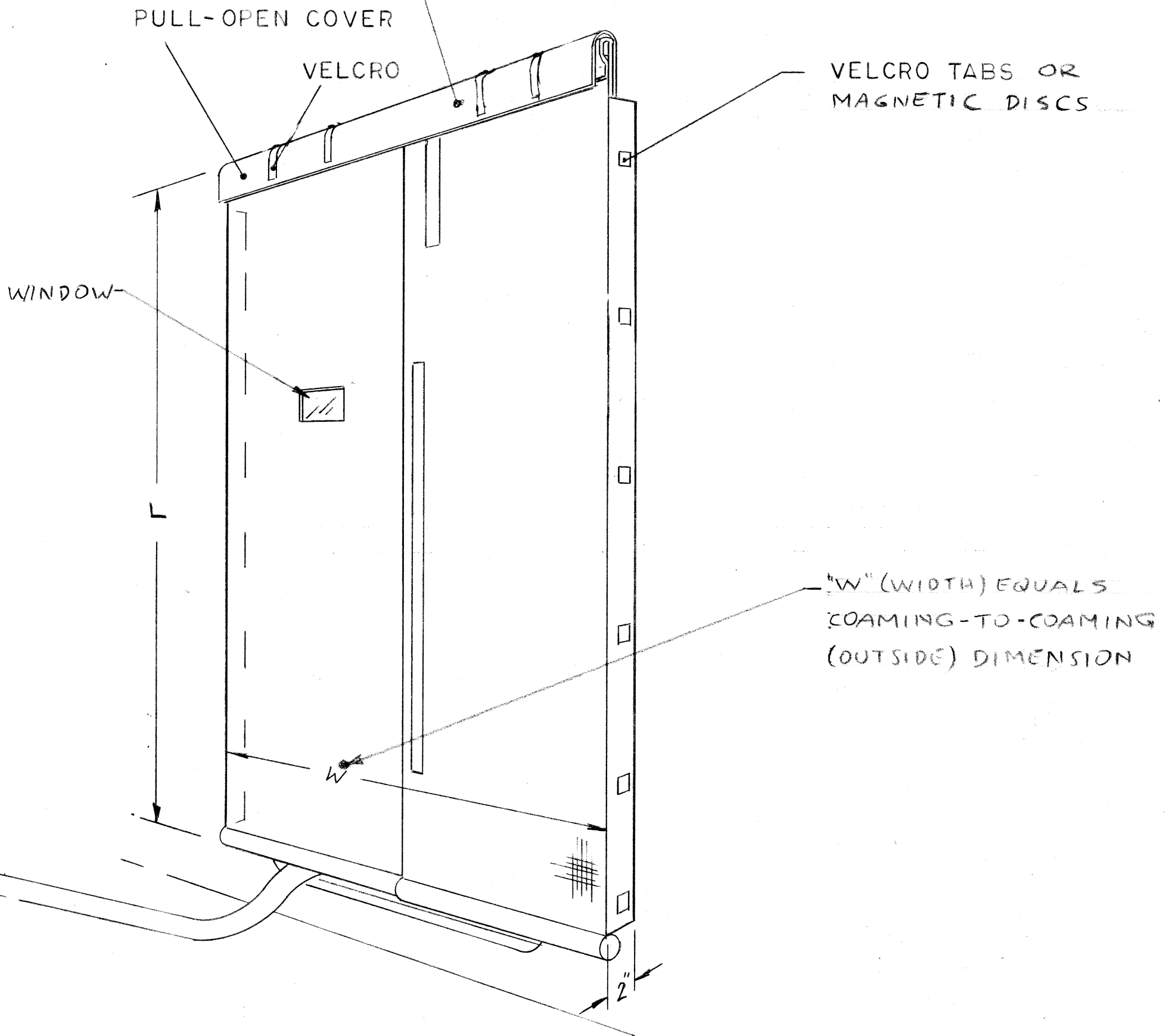
PRODUCT	RAPID-DEPLOYMENT SMOKE CONTAINMENT CURTAINS (ST'D)	HMS PART NO.	HMS-60-110-	REV.	G
---------	--	--------------	-------------	------	---

**HMS MARINE HARDWARE, INC.**

TEL: 516-546-1300 FAX: 516-623-9155  
 WWW.HMS-MARINE-HARDWARE.COM



SCREW, BRACKET OR MAGNETIC MOUNTING AVAILABLE



TM

SMOKE-GARD CURTAINS  
FOR Q.A.W.T. DOORS

SHEET 3

PRODUCT  
SMOKE CURTAIN-Q.A.W.T. DOOR

HMS PART NO.  
HMS-60-110

REV.  
G

**HMS MARINE HARDWARE, INC.**

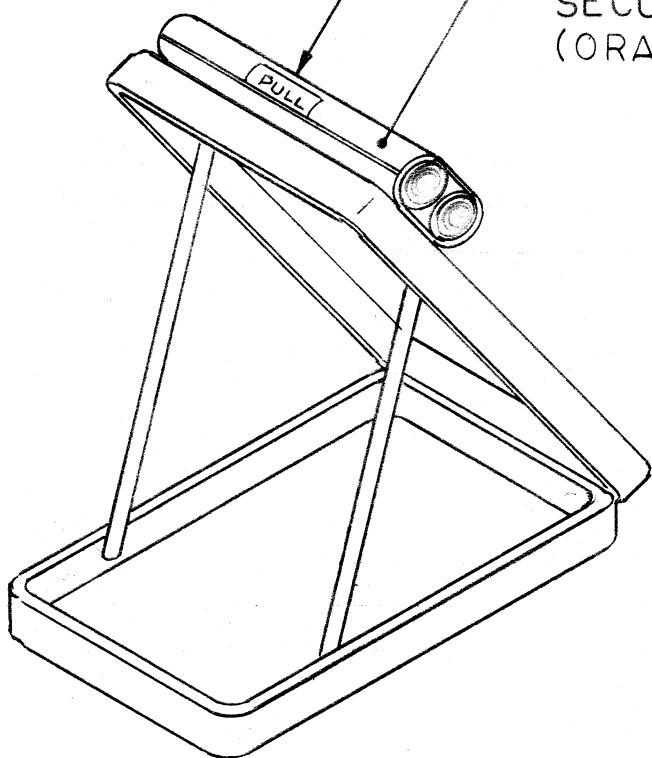
TEL: 516-546-1300 FAX: 516-623-9155  
WWW.HMS-MARINE-HARDWARE.COM



QUICK - RELEASE  
STOW-IN-PLACE  
SMOKE CONTAINMENT  
HATCH BLANKETS

MAGNETIC MOUNTING  
(NO PENETRATIONS)

COVER  
VELCRO  
SECURED  
(ORANGE)



STOWED

REFLECTIVE STRIPE

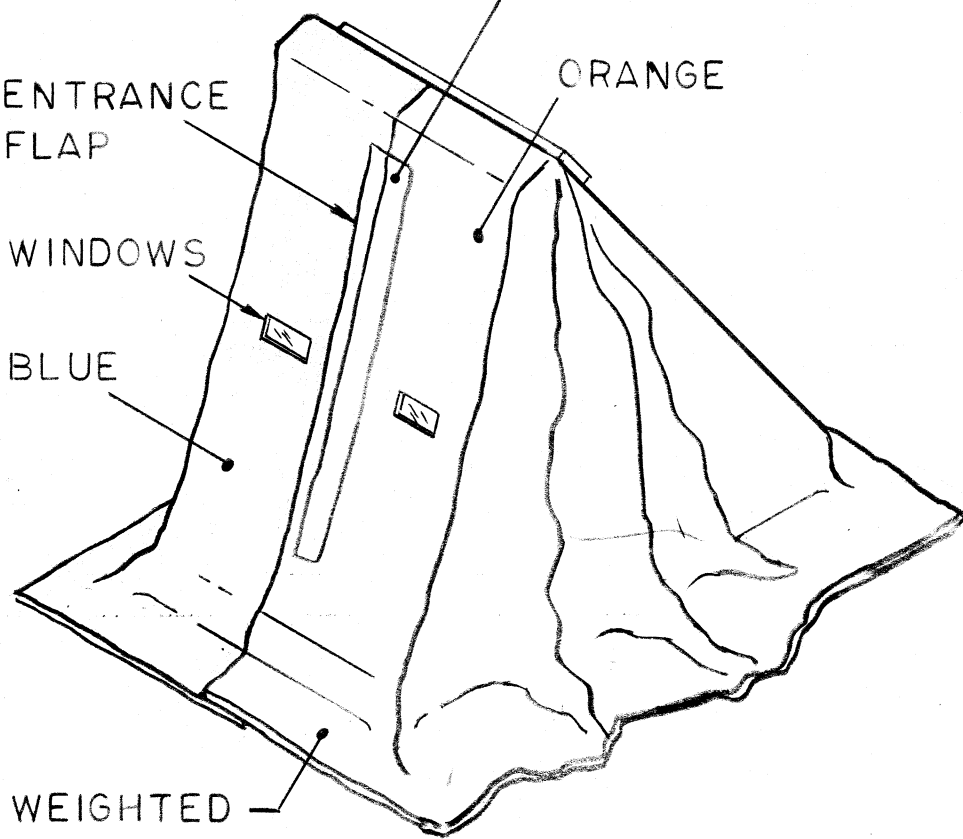
ENTRANCE  
FLAP

ORANGE

WINDOWS

BLUE

WEIGHTED  
SKIRT



DEPLOYED

FABRIC: FIRE-RATED NOMEX<sup>®</sup>  
(DURABLE AND WASHABLE)

SPECIFICATION COMPLIANCE:  
MIL-C-24500  
MIL-STD-1623

RE-STOWING: FOLD FROM SIDES, THEN  
ROLL FROM FROM FRONT AND REAR,  
SECURE WITH VELCRO & COVER  
(HATCH IN CLOSED POSITION SUGGESTED)

"HATCH-GARD"

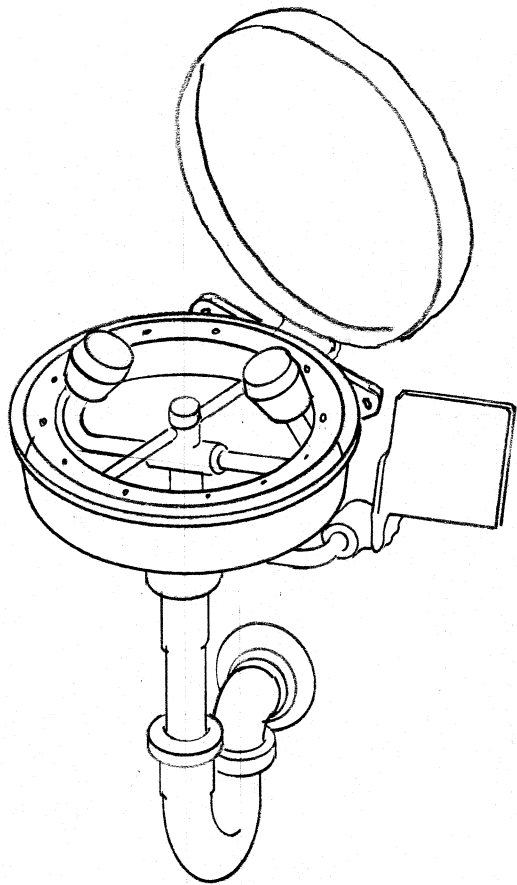
PRODUCT HATCH BLANKET -  
SMOKE CONTAINMENT

HMS PART NO.  
HMS - 60 - 115

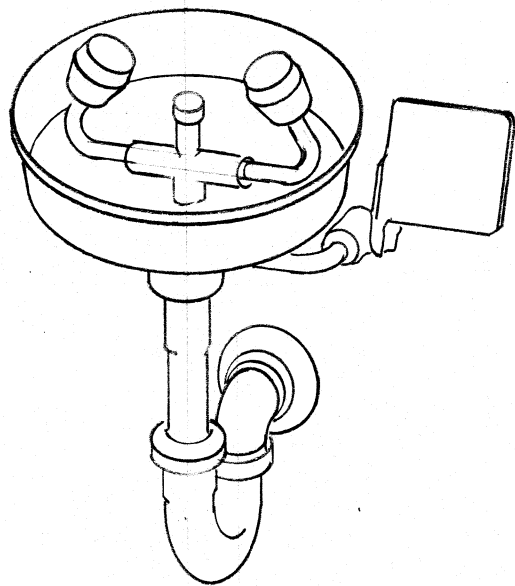
REV.  
A

**HMS MARINE HARDWARE, INC.**

TEL: 516-546-1300 FAX: 516-623-9155  
WWW.HMS-MARINE-HARDWARE.COM



FACE & EYEWASH  
 MODEL 7760 BT  
 HMS-60-150-7760 BT



EYEWASH  
 MODEL 7460 BT  
 HMS-60-150-7460 BT  
 (SHOWN WITH TWIN EYE/FACE  
 WASH ASSEMBLY OPTION)

NOTES

1) BOWL - STAINLESS STEEL  
 SPRAY PIPING - CHROME PLATED  
 EYE SPRAY HEADS - ABS PLASTIC

2) HOOKUP:  
 SUPPLY 1/2" IPS  
 WASTE 1 1/4 IPS

3) WEIGHT: 8 LBS. APPROX.

4) MODEL 7460-  
 PROOF OF GRADE B SHOCK TEST, USING SHOCK TESTING MACHINE  
 FOR LIGHTWEIGHT EQUIPMENT, CLASS HI (HIGH IMPACT),  
 MOUNTING FIXTURE 4-A, FIGURE 5, PER MIL-S-901C.

PRODUCT EYE AND FACE WASH UNITS -  
 — EMERGENCY USE —

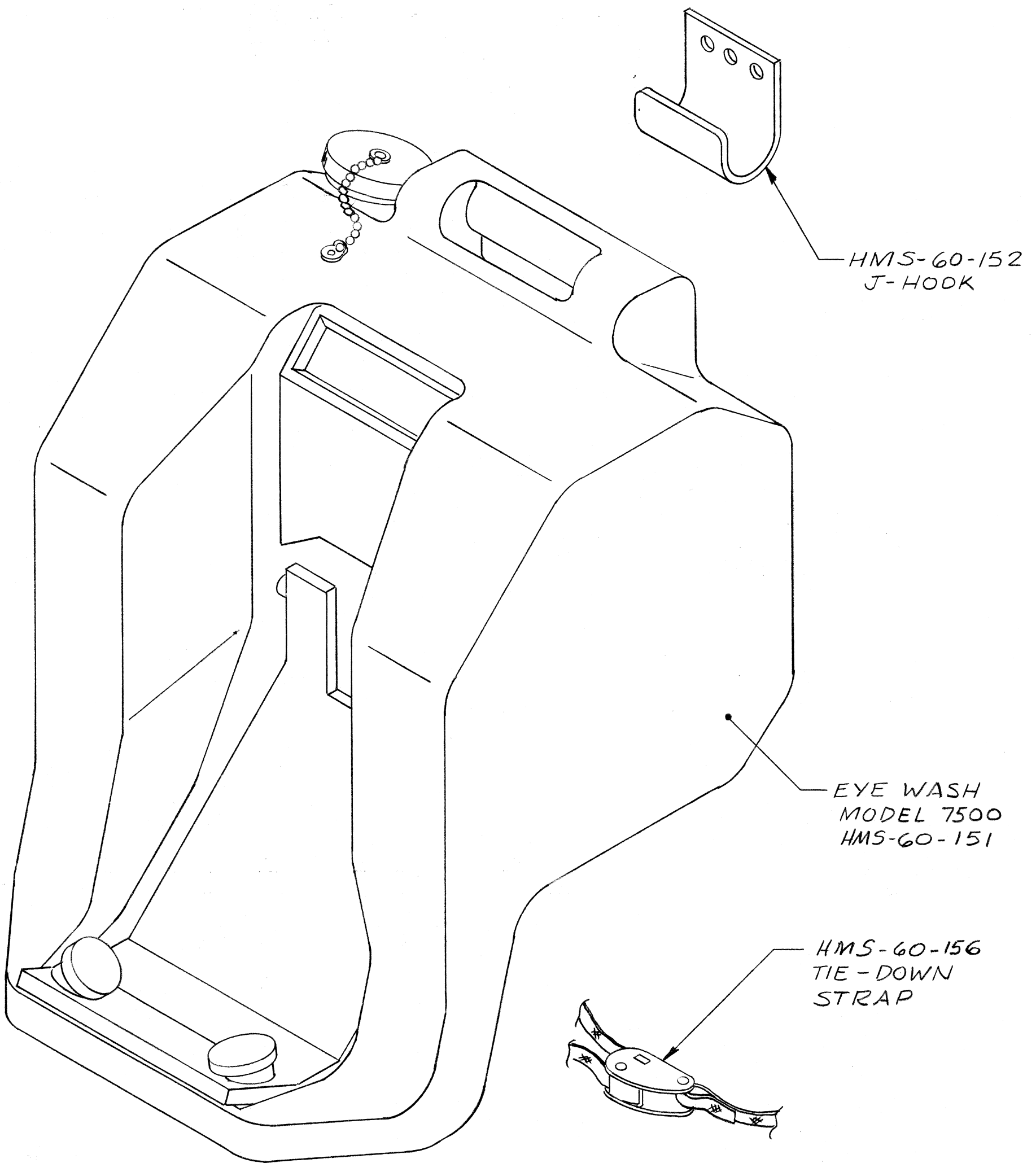
HMS PART NO.  
 HMS-60-150-

REV.  
 A

**HMS MARINE HARDWARE, INC.**

TEL: 516-546-1300 FAX: 516-623-9155  
 WWW.HMS-MARINE-HARDWARE.COM





NOTES

GRADE B SHOCK: PROOF OF GRADE B SHOCK BY TEST, USING SHOCK-TESTING MACHINE FOR LIGHTWEIGHT EQUIPMENT CLASS HI (HIGH IMPACT) BUSHIPS DWG 10-T-2145-L, ALT. 13. STD. MOUNTING FIXTURE 4-A FIG. 5 PER MIL-S-901C.

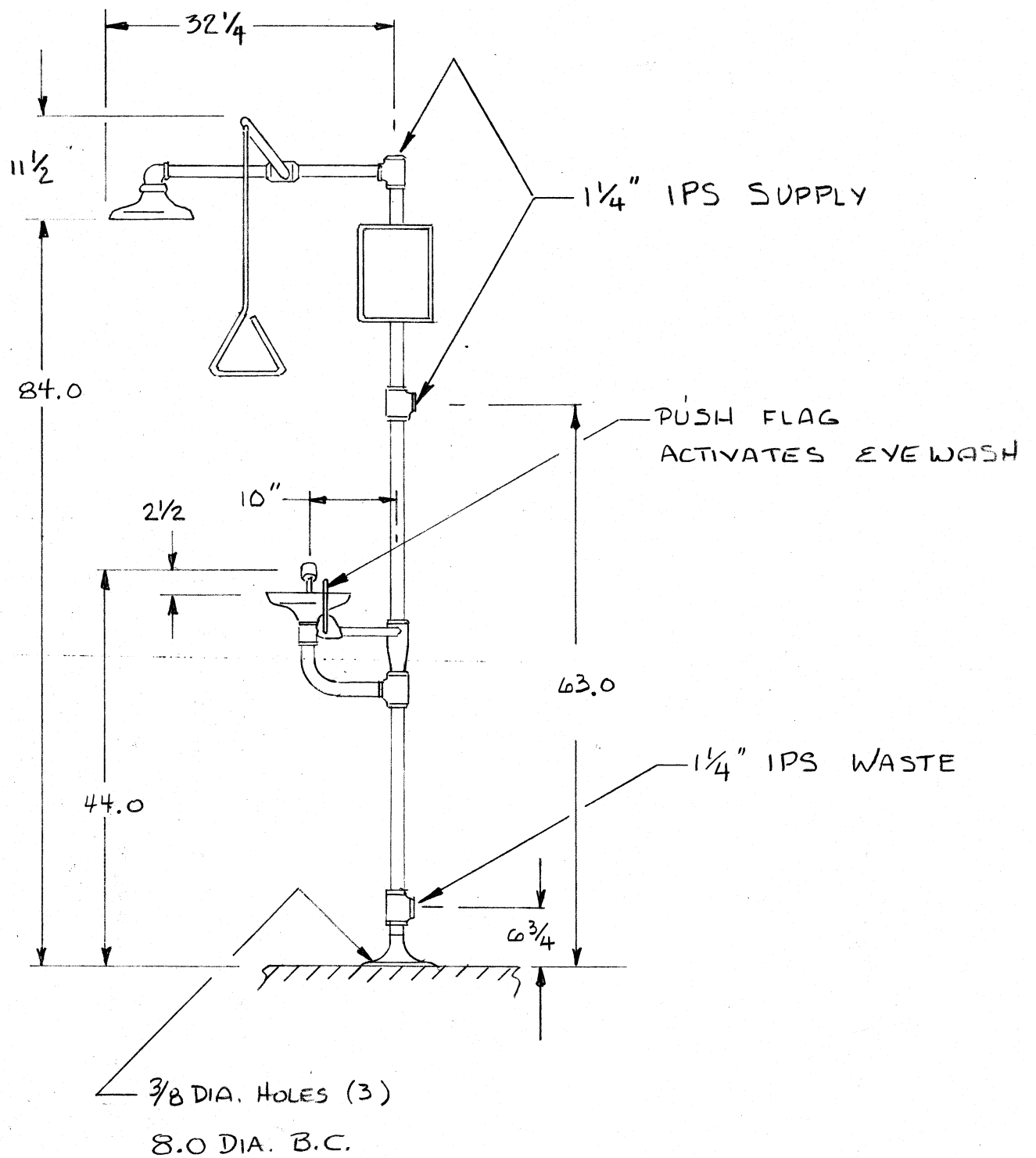
UNIT ALSO AVAILABLE WITH MANUFACTURER'S STANDARD MOUNTING

<b>PRODUCT</b> GRADE-B SHOCK EYE WASH, PORTABLE	<b>HMS PART NO.</b> HMS-60-153	<b>REV.</b> A
---	-----------------------------------	------------------

**HMS MARINE HARDWARE, INC.**

TEL: 516-546-1300 FAX: 516-623-9155  
 WWW.HMS-MARINE-HARDWARE.COM





NOTES:

- 1) WEIGHT : 50 LBS.
  - 2) SUPPLY & WASTE 1/4" IPS .
  - 3) VALVES - INSTANT ACTION .
  - 4) MATERIALS - BOWLS , ABS PLASTIC  
PIPE , GALVANIZED STEEL.
- 5) MODEL NO. 8320/SP220-  
SHOCK TESTING: PROOF OF GRADE B SHOCK TEST, USING SHOCK TESTING MACHINE  
FOR MEDIUM WEIGHT EQUIPMENT, CLASS HI (HIGH IMPACT).  
TEST SPECIFICATION: MIL-S-901D, GRADE B MEDIUM WEIGHT, TYPE A, CLASS I.

PRODUCT DRENCH SHOWER AND EYEWASH -  
EMERGENCY USE , 8320

HMS PART NO.  
HMS-60-155-8320

REV.  
A

**HMS MARINE HARDWARE, INC.**

TEL: 516-546-1300 FAX: 516-623-9155  
WWW.HMS-MARINE-HARDWARE.COM